

CLCZ-2



Centrifugal Chamber
Machine for Cereals
CLCZ-2

ZACCARIA

CLCZ-2

Centrifugal Chamber Machine for Cereals CLCZ-2

Developed with high quality materials and precision process, the centrifugal chamber for cereals, model CLCZ-2, provides the excellent cleaning for cereals removing the soft impurities through of a suction system. The equipment has a central rotor that provides the adequate airflow, which separates the light impurities from the product. The product is spread inside the chamber and the airflow properly dimensioned provides the separation of the impurities.

FEATURES

- Panoramic acrylic windows to allow the view inside the CLCZ-2
- Controlled airflow by a butterfly valve that allows the easiest adjustments of the flow
- The rotor has the positioning adjustment that allows the regulate spreading of the product inside the chamber
- Inlet adjustable telescopic pipe, to guarantee that the product that will be separated be directed exactly to the center of the rotor

Model:

CLCZ-2

Capacity inlet (Ton/h):

- Degerminated corn
4,5

- Gritz
2

Air outflow necessary (m³/min):

28 to 40

Air pression necessary (mmca):

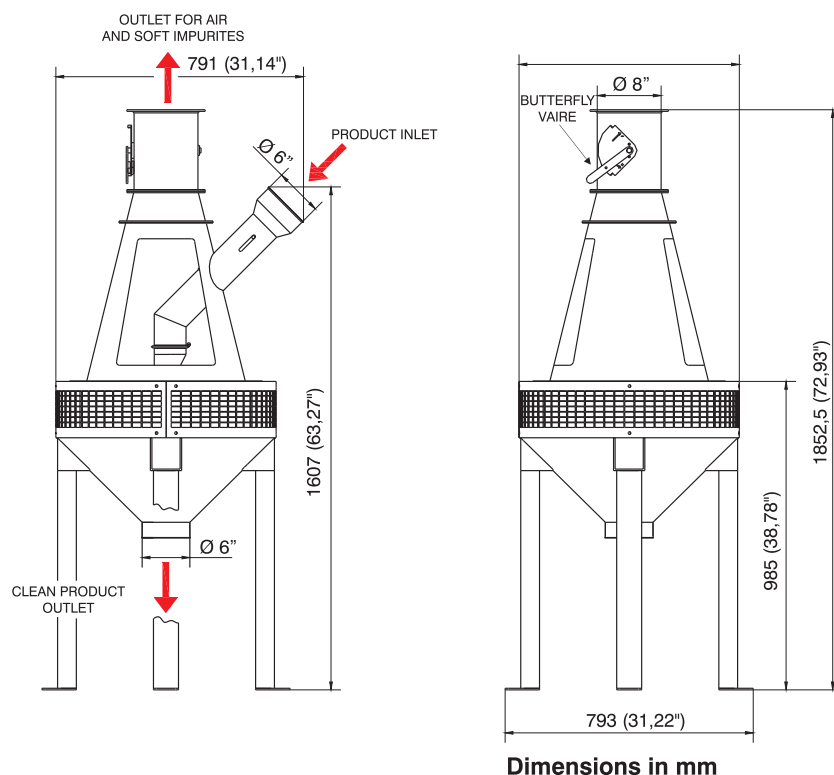
-80

Approx. shipping volume (m³):

1,3

Approx. shipping weight (kg):

110



ZACCARIA

OUR EXPERIENCE MAKES THE DIFFERENCE

INDÚSTRIAS MACHINA ZACCARIA S/A
Rua Laranjal, 180
CEP: 13484-016 - Limeira - SP - Brasil
Phone: (55.19) 3404-5725
Fax: (55.19) 3404-5720

www.zaccaria.com.br
comex@zaccaria.com.br



Other products under request.

Indústrias Machina Zaccaria S/A reserves the right to change the information contained in this catalog, including the color and details of the machine, without previous notice.