

DVZ



Vertical
Maize Degermer
DVZ-1

ZACCARIA

DVZ-1

Vertical Maize Degermer DVZ-1

The VERTICAL DEGERMER ZACCARIA - model DVZ-1 - was developed for the purpose to remove the skin and the germ of corn kernels in a vertical way, from the bottom to the top.

The friction obtained between the grains and the proper addition of moisture obtained through Continuous Conditioning System for Cereals, our SCCZ (***) . The SCCZ has the principle to facilitate the degermer process through the properly add of the moisture of the grains inside its chamber. This makes the process easier.

FEATURES

- High level of degermination
- Low power required per kilo processed
- Excellent superficial grains finishing
- Internal components made by stainless steel
- Low oil level at the kernel
- Feed system run by gear motor
- Security system which controls the motor amperage, closing automatically the product inlet in case of overload situation
- Easy operation and maintenance

Model:

DVZ-1

Power / poles:

• Main motor
55 kW / IV
75 hp / IV

• Fan
3 kW / II
4 hp / II

• Feed hopper
1,1 kW / IV
1,5 hp / IV

Capacity: corn inlet (kg/h)

4000 to 5000

Required air pressure for germ extraction (mmH₂O)

-180 to -200

Air flow for germ extraction (m³/min)

50

Approx. shipping volume (m³):

7,4

Approx. shipping weight (kg):

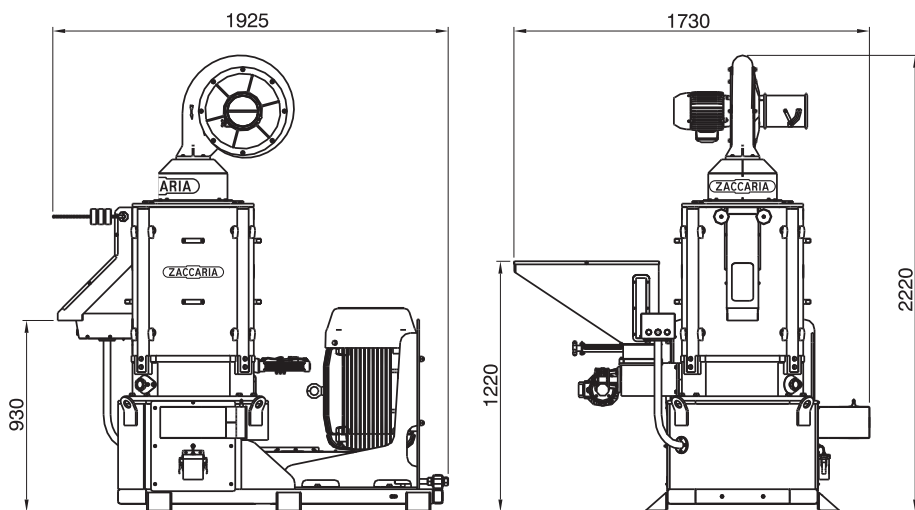
1148

Note

*** For the optimization of the process of the Degermination, we recommend the use of the Continuous Conditioning System for Cereals, our SCCZ-3, which controls the continuous flow of water, guaranteeing the humidity uniformly dispersed in the grains.

- Originally supplied without motor.

Indústrias Machina Zaccaria S/A reserves the right to change the specifications herein stated, including color and details, without previous notice.



* Dimensions in mm

ZACCARIA

OUR EXPERIENCE MAKES THE DIFFERENCE

INDÚSTRIAS MACHINA ZACCARIA S/A

Rua Laranjal, 180

CEP: 13484-016 - Limeira - SP - Brasil

Phone: (55.19) 3404-5745

www.zaccaria.com.br
comex@zaccaria.com.br

