

SRCZ-1



Rotary
Continuous Dryer
SRCZ-1

ZACCARIA

SRCZ-1

Rotary Continuous Dryer SRCZ-1

The Rotary Continuous Dryer, model SRCZ-1, is designed for dry the maize germen in the semi-humid degermination process. The drying process is done by hot air stream in counter-flow through the product. In this system, the germen is discharged into the rotary chamber where it remains in moviment few minutes for proper drying under influence of hot air.

Model:

SRCZ-1

Power / Poles:

Burner fan
0,75 kW / II
1,0 hp / II

Cyclone fan
3 kW / II
4 hp / II

Rotative valve
0,55 kW / IV
0,75 hp / IV

Dryer
1,5 kW / IV
2 hp / IV

Germen drying capacity(kg/h):

500 to 1500

Gas pressure capacity for the burners (kgf/cm²):

1,5

Medium gas consumption for drying the germen (kg/h):

5,4

Approx. shipping volume (m³):

16,5

Approx. shipping weight (kg):

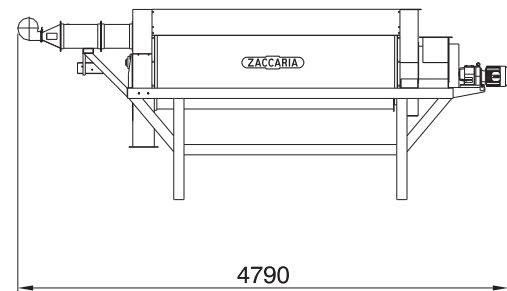
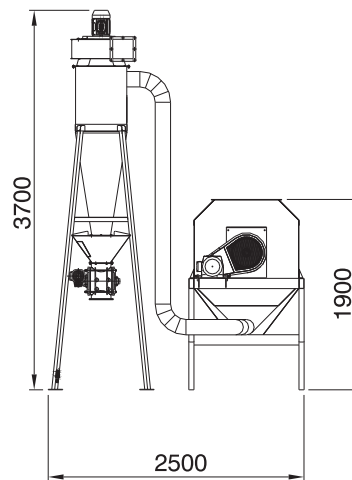
1050



Command panel

CHARACTERISTICS

- Gear motor;
- Burner fan with adjustable airflow;
- Cyclone to drop the material dragged by the airflow;
- Tubular gas burner with low gas consumption;
- Window for inspection / cleaning the cylinder;
- Temperature regulator;
- Inclination adjustment;
- Supplied with control panel;
- Continuous system;
- Excellent germen homogenization;
- High efficiency of drying germen;
- Easy operation and maintenance
- Supplied originally for burning LPG. For other gases please consult us.



(Measures in mm)

ZACCARIA

OUR EXPERIENCE MAKES THE DIFFERENCE

INDÚSTRIAS MACHINA ZACCARIA S/A

Rua Laranjal, 180
CEP: 13484-016 - Limeira - SP - Brasil
Phone: (55.19) 3404-5725
Fax: (55.19) 3404-5720

www.zaccaria.com.br
comex@zaccaria.com.br



-Maximum Inlet moisture 20% B.U.
-Machine originally supplied with motor.

Industrias Machina Zaccaria S/A reserves the right to change the information contened in this catalog, including the color and details of the machine, without previous notice.