

PCLZ



Model PCLZ-2



Model PCLZ-1/A

Polisher for Cereals
and Leguminous
PCLZ

ZACCARIA

PCLZ

Polisher for Cereals and Leguminous PCLZ

Zaccaria decided to expand its expertise to the cereal and leguminous processing market, using its know-how and decades of experience in grain processing to develop a differential polishing equipment: The cereal and leguminous polisher model PCLZ-1/A and 2.

Precisely designed with high technology, this equipment works by controlled friction and pressure between grains, offering great efficient, ensuring wonderful finishing and shine aspect on the grain surface.

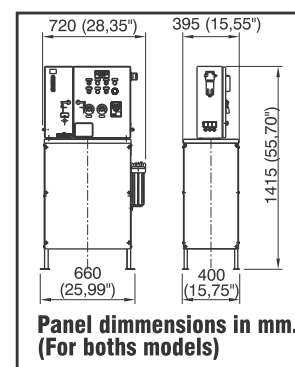
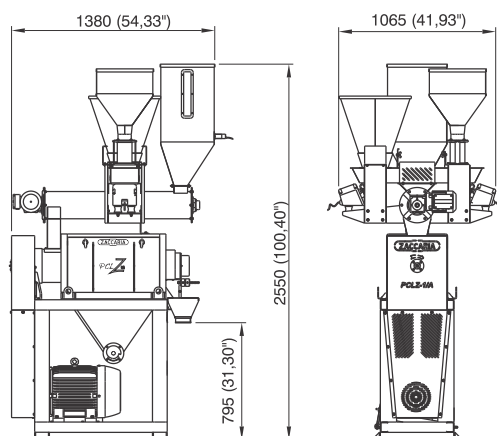
To improve the polishing process, the equipment uses fragment of corn, maize germen, fragment of rice, rice bran, and water if necessary, which are dosed in the correct proportion by a system to be mixed with the product and polished, ensuring finest aspect to the grain.

Models:

PCLZ-1/A	PCLZ-2
.....	
Power / Poles:	
Main motor	
22 kW / IV	37 kW / IV
30 hp / IV	50 hp / IV
Motoreductor	
0,25 kW / IV	0,25 kW / IV
0,33 hp / IV	0,33 hp / IV
.....	
Capacity: product inlet* (kg/h):	
2500 to 3000	5000 to 6000
.....	
Required air pressure for bran extraction (mmH₂O):	
- 60 to - 90	- 60 to - 90
.....	
Required air flow for bran extraction (m³/min):	
20	30
.....	
Water micro aspersion system:	
Water (l/h)	
10	10
Air (l/min)	
none	150
.....	
Approximated volume: packaged (m³)	
5,0	7,0
.....	
Approximated weight: packaged (kg)	
600	950

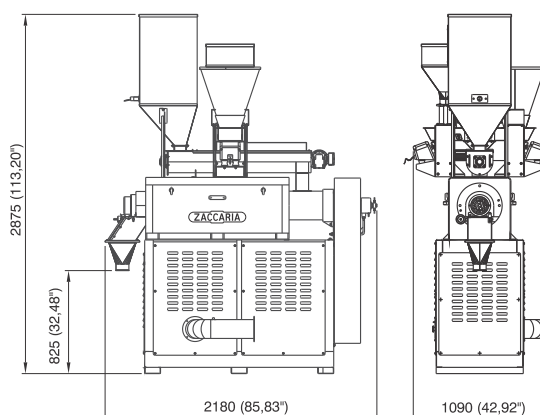
CHARACTERISTICS

- Easy operation, cleaning and maintenance
- Low rate of the broken grain
- Provides excellent aspect to the grain
- Inspection covers for easy cleaning
- Easy replacement of natural wear spare parts



Panel dimensions in mm.
(For both models)

Model PCLZ-1/A
(Measures in mm/inches)



Model PCLZ-2
(Measures in mm/inches)

(*) Productive capacity for Brasilian beans (variety "Carioquinha").

- We recommend the use of Zaccaria complementary equipment as:

- Sieve (to collect rice and maize fragment)
- Elevator (to return those fragment to the polisher)
- Cyclone (to perform bran aspiration of the equipment).
- Equipment originally supplied without the main motor.

Indústrias Machina Zaccaria S/A reserves the right to change the information stated in this catalog, including all equipment detail, without previous notice.

ZACCARIA

EXPERIENCE THAT MAKES THE DIFFERENCE

INDÚSTRIAS MACHINA ZACCARIA S/A

Rua Laranjal, 180
CEP: 13484-016 - Limeira - SP - Brasil
Phone: +55.19 3404 5745

www.zaccaria.com.br
comex@zaccaria.com.br