

ZX-25

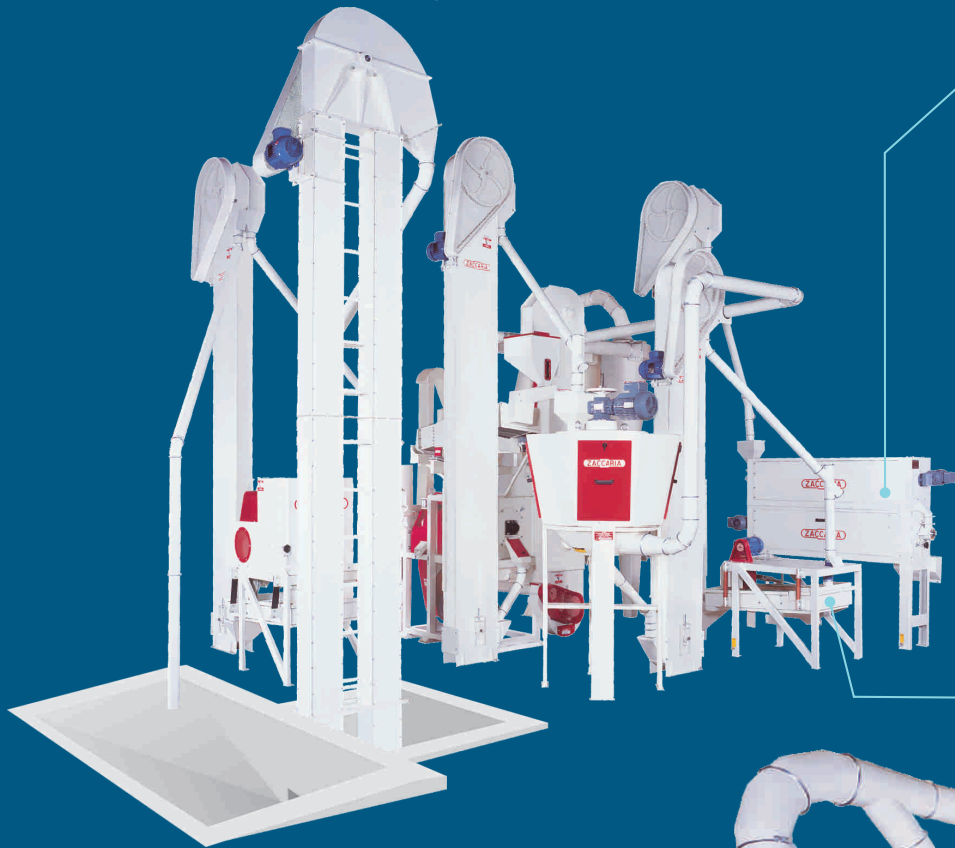


Rice Milling
Machine
ZX-25

ZACCARIA

Rice Milling Machine ZX-25

The Zaccaria Rice Milling Machine model ZX-25 was developed to meet the requirements of small rice milling industries. This compact machine has easy operation, can produce up to 900 kg/h of milled rice, providing a final product of excellent quality.



Length Grader TRIZX-25 (optional)

Separates rice kernels by length (whole grain, 3/4, 1/2 and 1/4), depending on the size of the indents used.

The quantity of grading cylinders to be used depends on the user's separation needs.

Power:
0,25 kW / 1/3 hp / IV poles (each cylinder).

Capacity:
750 to 900 kg/h (each cylinder).



Originally supplied with motor.

Sieve Separator PZX-25

Separates impurities that are larger than rice kernels and fine broke rice from the head rice by sieving.

Power: 0,4 kW / 0,5 hp / VI poles.

Capacity: 750 to 900 kg/h (on milled rice).



Originally supplied without motor.

Exhausting System

Removes and collects husk from the aspiration chamber and bran from the whitening section.

Power required:

Fan
5,5 kW / 7,5 hp / II poles.

Rotary Valve

0,4 kW / 0,5 hp / VI poles.



Originally supplied with motor.



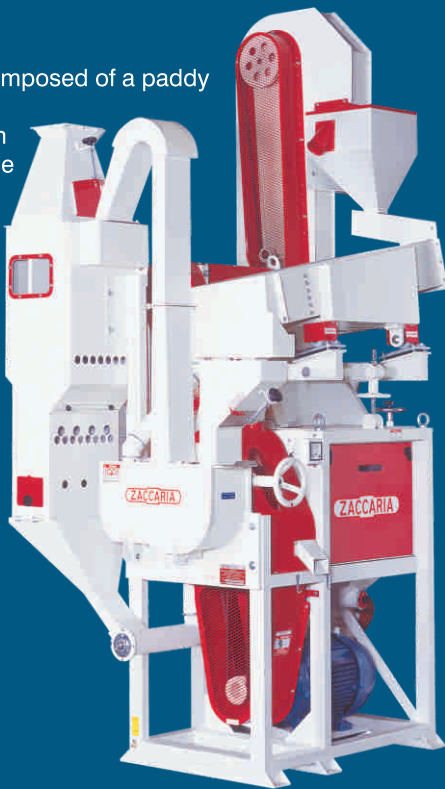
Brown Rice and Whitening Unit AIZX-25

This compact machine is composed of a paddy husker that uses 6"x 8.3/4", rubber rolls, husk separation chamber, indented-plate-type paddy separator, and whitener that removes the bran layer and germ from the rice kernels by an abrasive action, providing a higher number of whole kernels and better finishing surface.

Power:
22,5 kW / 30 hp /
IV poles.

Capacity:
750 to 900 kg/h
(on brown rice).

Originally
supplied without motor.



Brush Polisher PEZX-50 (optional)

Removes the adhering bran coming from the whitening section, providing grains of better appearance.

Power:
2,2 kW / 3,0 hp /
IV poles.

Capacity:
750 to 1800 kg/h
(on milled rice).

Originally
supplied with motor.



Water Polisher WPZ-30/S (optional)

Horizontal polishing system with water. Removes the superficial bran from the rice by means friction and controlled water which do not damage the rice, given shine and glass aspect to the final product.

Power consumption:
15 kW / 20 hp / IV poles.

Capacity:
1500 until 1800 kg/h
(output).

Originally supplied without motor.



Pre-cleaner PLRZ-1 (optional)

Separates impurities that are larger, smaller and lighter than the rice kernels with great efficiency.

Power:
0,74 kW / 1,0 hp /
VI poles.

Capacity:
Up to 2000 kg/h
(on paddy).

Originally
supplied without motor.



ZX-25

Rice Milling Machine ZX-25

Model:

ZX-25

without optionals with optionals

Power:

29,5 kW 35,10 kW
40 hp 47,65 hp

Approx. shipping volume (m³):

15 26

Approx. shipping weight (kg):

2350 3950

Capacity on paddy, with or without optionals (kg/h):

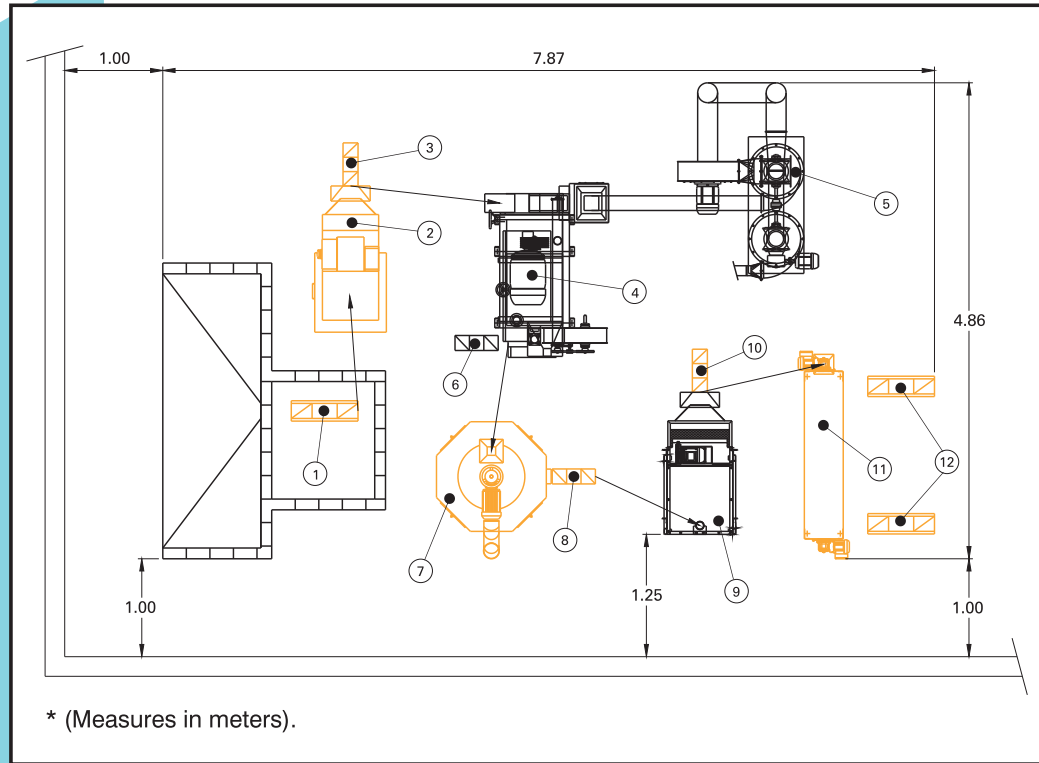
1050 to 1250

Capacity on milled rice, with or without optionals (kg/h):

750 to 900

Notes: The above specifications are for the installation layout as above suggested.

- For optimum yield, paddy should be processed within 12% to 13% of moisture.
- For optimum yield, the percentage of impurity should not exceed 1,5%.



TECHNICAL CHARACTERISTICS

- 1 - Elevator for discharge hopper (optional).
- 2 - Pre-cleaner PLRZ-1 (optional).
- 3 - Elevator for the Pre-cleaner outlet (optional).
- 4 - Brown Rice and Whitening Unit assembly AIZX-25.
- 5 - Aspiration system for bran and husk.
- 6 - Outlet elevator of the Brown Rice and Whitening Unit AIZX-25.
- 7 - Brush Polisher PEZX-50 or WPZ-30/S (optional).
- 8 - Brush Polisher PEZX-50 outlet elevator (optional).
- 9 - Sieve PZX-25 fine broken rice.
- 10 - Sieve PZX-25 outlet elevator (optional).
- 11 - Length Grader TRIZX-25 (optional).
- 12 - Length Grader TRIZX-25 outlet elevator (optional).

Note: Elevators are originally supplied without motor.



OUR EXPERIENCE MAKES THE DIFFERENCE

INDÚSTRIAS MACHINA ZACCARIA S/A

Rua Laranjal, 180
CEP: 13484-016 - Limeira - SP - Brasil
Phone: (55.19) 3404 5725
Fax: (55.19) 3404 5720

www.zaccaria.com.br
comex@zaccaria.com.br



Indústrias Machina Zaccaria S/A reserves the right to change the information stated in this catalog, including the color and other details, without previous note.