

ZX-6



Rice Milling
Machine

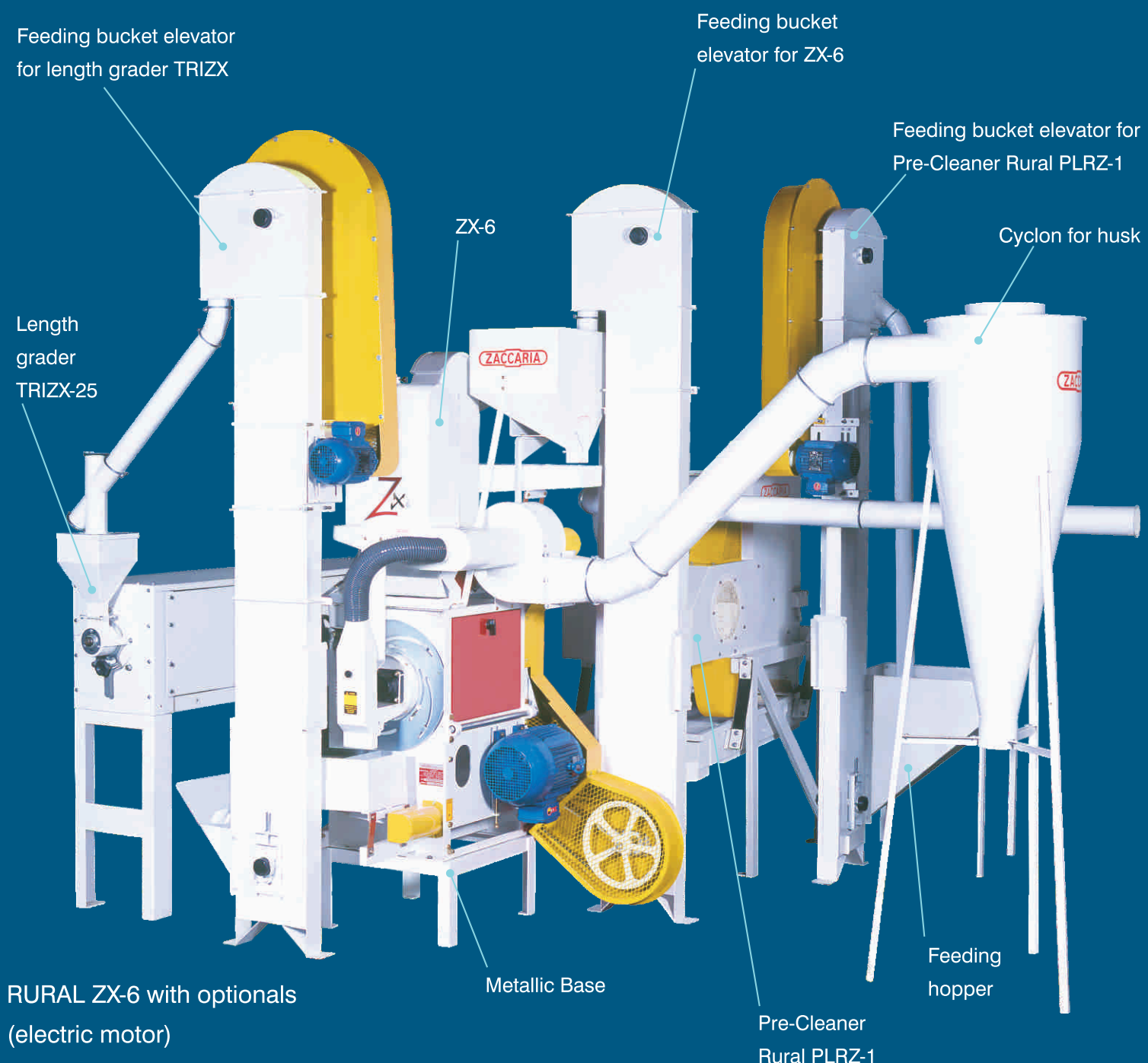
RURAL ZX-6
(with optionals)

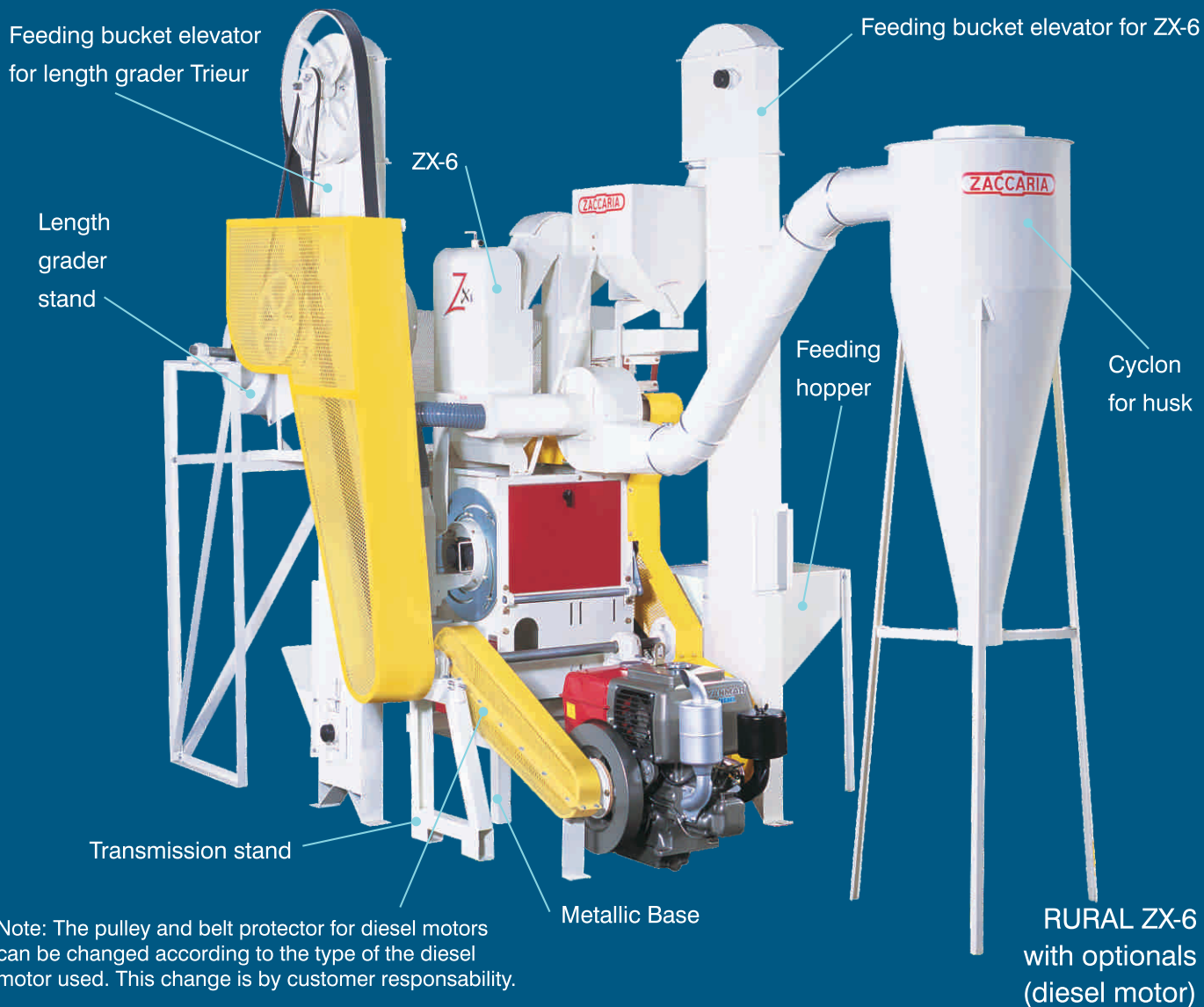
ZACCARIA

Rice Milling Machine **RURAL ZX-6** (with optional)

The **RURAL ZX-6** Rice Milling Machine was developed to attend the requirements of small farms and small rice mills. Modern and compact, is the words that define the **ZX-6**, what guarantee excellent yield and polishing into most variety rice types with a small area and power consumption requirement. During the **ZX-6** manufacture process, only high quality materials and precision process are used, passing thought rigorous programs of tests and quality.

The rice milling machine model **ZX-6** with optional accessories, electric (single phase or three-phase) or diesel powered, promote an excellent polished grain surface, granting the rice an even higher quality, where the farmer or small rice milling can get a better market value for his final product, where the farmer or small rice milling could has a better market price for his final product.





OPTIONALS ACCESSORIES

- **Length Grader Kit:** The indent cylinder (trieur type) supplied originally from Zaccaria with 6,0 mm indent.
Note: Consult the Zaccaria for other indent sizes.
- **Feeding Bucket Elevator** with hopper for ZX-6.
- **Husker Cyclone:** consist in a centrifugal collector with involved inlet.
- **Metallic Base:** Developed and manufactured in welded angle bar especially for ZX-6. His efficient design allow the ZX-6 receive the paddy rice from the feeding bucket elevator and during the process, discharge the white rice into the length grader at the same time.
- **Transmission System:** The bearings of axle transmission are supported by two bases manufactured in "U" fixed on the floor. The transmission system includes belts for the diesel motor or electrical motor.
- **PLRZ-1:** Pre-Cleaner supplied by independent motor.



ZX-6

Rice Milling Machine

RURAL ZX-6 (with optionals)

Model:
RURAL ZX-6
with optionals

Power / Poles:

- Three-phase electric motor
- ZX-6
 - 10 hp (7,5 kW)
 - 1500 rpm (50 Hz)
 - 1800 rpm (60 Hz)
- Length grader kit
 - 0,33 hp (0,25 kW)
 - 1500 rpm (50 Hz)
 - 1800 rpm (60 Hz)
- Length grader with bucket elevator
 - 0,75 hp (0,55 kW)
 - 1000 rpm (50 Hz)
 - 1200 rpm (60 Hz)
- Pre-Cleaner Rural PLRZ-1
 - 1,0 hp (0,74 kW)
 - 1000 rpm (50 Hz)
 - 1200 rpm (60 Hz)
- Pre-Cleaner Rural PLRZ-1 with bucket elevator
 - 0,75 hp (0,55 kW)
 - 1000 rpm (50 Hz)
 - 1200 rpm (60 Hz)
- Single-phase electric motor
 - 12,5 hp (9,2 kW)
 - 1500 rpm (50 Hz)
 - 1800 rpm (60 Hz)
- Diesel motor
 - 15 hp

Capacity (kg/h):

ZX-6 (paddy rice)
500 to 550

Approx. shipping volume (m³):

10,0

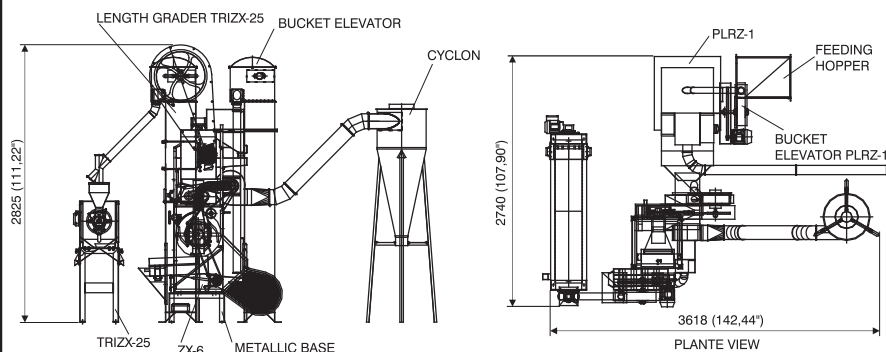
Approx. shipping weight (without motor) (kg):

1500

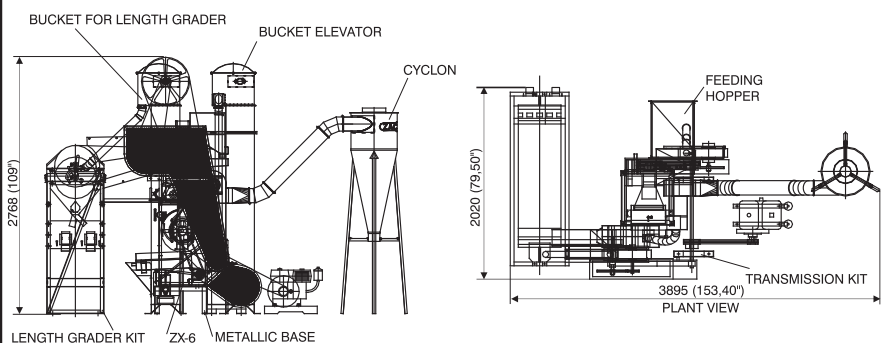
Note: - Production in kg/h, based on tests long rice.
- For the best results, it is recommended that paddy moisture content should be within 12 to 13% (B. U).
- Equipment originally supplied without motor.

Indústrias Machina Zaccaria S/A reserves the right to change the information contained in this catalog, including the color and details of the machine, without previous notice.

Electric motor (dimensions in mm)



Diesel motor or single-phase (dimensions in mm)



- Note: 1 - Driven by a single diesel motor 15 hp.
2 - Driven by a 12,5 hp (9,2 kW) single-phase motor 1500 rpm (50 Hz) or 1800 rpm (60 Hz).
3 - Shaft rotation: 1100 RPM.
4 - Whitener shaft rotation: 693 RPM.



OUR EXPERIENCE MAKES THE DIFFERENCE

INDÚSTRIAS MACHINA ZACCARIA S/A
Rua Laranjal, 180
CEP: 13484-016 - Limeira - SP - Brasil
Phone: (55.19) 3404-5725
Fax: (55.19) 3404-5720

www.zaccaria.com.br
comex@zaccaria.com.br

