



Compact Rice
Milling Machine
RURAL ZX-3

ZACCARIA

ZX-3

Model:
RURAL ZX-3

Power / Poles:

Three-phase electric motor:

3,7 kW / IV

5 hp / IV

Single-phase electric motor:

3,7 kW / IV

5 hp / IV

Diesel motor:

7,0 hp / 2400 or 3600 rpm

Whitening main shaft:

740 rpm

Capacity: inlet paddy rice (kg/h)

260 to 300

Approx. volume: Packaged (m³):

1,45

Approx. weight (without motor): Packaged (kg):

135

Note: - Production in kg/h, based on tests with Brazilian rice type long.

- For maximum performance, paddy moisture contents should be within 12 to 13% (B. U.).

- Equipment originally supplied without motor.

Indústrias Machina Zaccaria S/A reserves the right to change the information contained in this catalog, including the color and details of the machine, without previous notice.

Compact Rice Milling Machine **RURAL ZX-3**

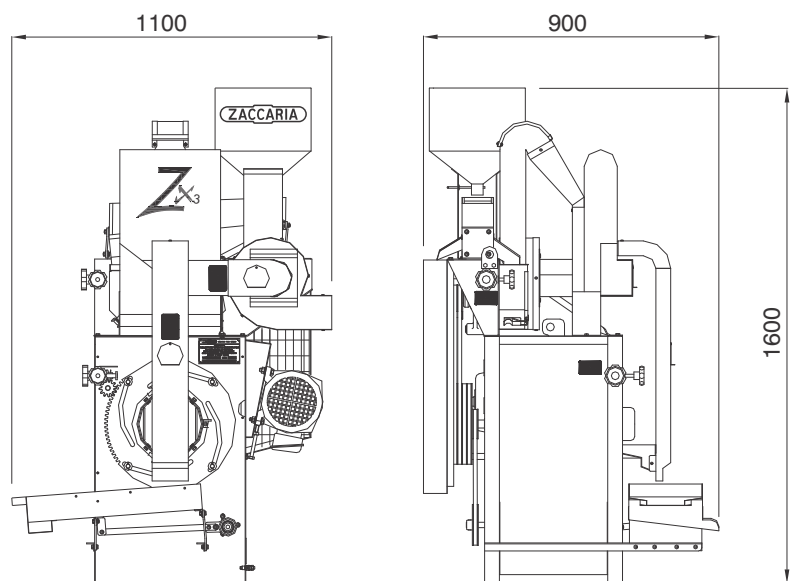
The Rural ZX-3 Compact Rice Milling Machine was developed to attend the requirements of small farms and small rice mills. The compact rice milling machine model ZX-3 is modern and has the compact conception which guarantee excellent yield and polishing for the most rice varieties with a small area and power consumption requirement.

THE MACHINE CONSISTS OF

- Feed hopper
- Pre cleaner to remove impurities
- Husk separation chamber
- Fan for husk suction
- Horizontal abrasive whitening with screens and brakes easily replaceable
- Brakes system with fast adjustment
- Metallic base for electric motor
- Vibrate sieve for broken rice grains

OPTIONALS

- Diesel transmission
- Cyclone for husks
- Metallic base
- Bucket elevator including inlet hopper
- Length grader for rice grading including bucket elevator
- Electric motor



ZACCARIA

EXPERIENCE THAT MAKES THE DIFFERENCE

INDÚSTRIAS MACHINA ZACCARIA S/A

Rua Laranjal, 180

CER: 13484-016 - Limeira - SP - Brasil

Phone: +55.19 3404 5745

www.zaccaria.com.br

comex@zaccaria.com.br