

TRIZX-25



Length
Grader
TRIZX-25

ZACCARIA

TRIZX-25

Length Grader TRIZX-25

Zaccaria has the ZX lines, designed to attend the needs of small rice milling plants. As part of this line, is included the Length Grader model TRIZX-25. It has the purpose of grading rice grains by length. The obtained products are whole grain, $\frac{3}{4}$, $\frac{1}{2}$, and $\frac{1}{4}$ of the grains, using the modern concept, which ensures great efficiency at grading, featuring low power consumption and excellent yields.

Model:

TRIZX-25

Power / Poles per cylinder:

0,25 kW / IV
1/3 hp / IV

Capacity on millid rice per cylinder (kg/h):

750 to 900

Approximate shipping volume per cylinder (m³):

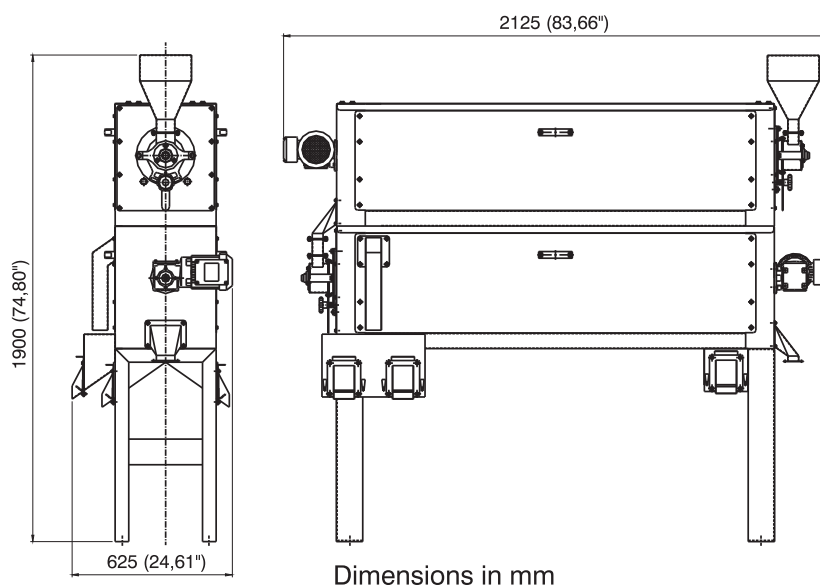
0,9

Approximate shipping weight per cylinder (kg):

120

FEATURES

- Compact design, easy operation and maintenance
- Individual drive system by gear motor
- Modular cylinders that allow superposed assembling
- Enclosed machine design, under security standards



ZACCARIA

OUR EXPERIENCE MAKES THE DIFFERENCE

INDÚSTRIAS MACHINA ZACCARIA S/A
Rua Laranjal, 180
CEP: 13484-016 - Limeira - SP - Brasil
Phone: (55.19) 3404-5725
Fax: (55.19) 3404-5720

www.zaccaria.com.br
comex@zaccaria.com.br



Notes: Originally shipped from factory with motor.
- The stand is optional.
- For maximum performance, paddy moisture contents should be within 12 to 13% (B. U.).

Indústrias Machina Zaccaria S/A reserves the right to change the information stated in this catalog, including the color and details of the machine, without previous notice.