

WPZ-30/A



Water
Polisher
WPZ-30/A

ZACCARIA

WPZ-30/A

Model:

WPZ-30/A

Potência / Pólos:

15 kW / IV
20 hp / IV

Inlet Capacity: polished rice (kg/h)

1500 to 1800

Water flow (l/h):

30

Bran Extraction:

-Air Pressure (mmH2O)

100 to 150

-Air Flow (m³/min):

20

Approximated volume packaged (m³):

3

Approximated weight packaged (kg):

450



Control panel

Water Polisher WPZ-30/A

The Water Polisher, model WPZ-30/A, was developed in order to provide better finishing aspect to the final product, removing the residual bran during the process, the grains are cleaner and more vitreous.

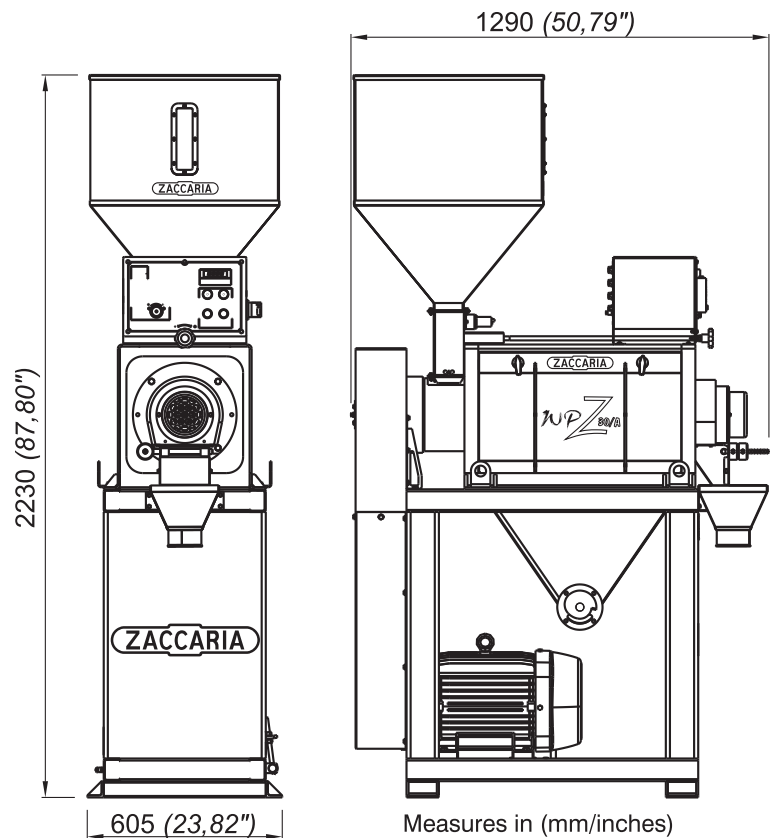
Composed by a geometrical center which is the best form to have an enough pressure among the grains in a controlled humid environment, removing the bran without causing any risk and any change in the grains geometry.

CHARACTERISTICS

- Steel structure
- Stainless steel hopper to extract the bran
- Control Panel to monitor the motor amperage, the product level and water flow
- Steel structures to fix the screens
- New cover and components designs to ensure the machine auto cleaning and no bran in the surface

ADVANTAGES

- Cleaner and more vitreous rice, helping in the commerce
- More time to storage due to the cleanest surface (no dust)



EXPERIENCE THAT MAKES THE DIFFERENCE

INDÚSTRIAS MACHINA ZACCARIA S/A

Rua Laranjal, 180
CEP: 13484-016 - Limeira - SP - Brasil
Phone: +55 19 3404 5745

www.zaccaria.com.br
comex@zaccaria.com.br

Note: * WPZ-30/A originally supplied without the main motor.

*Parboiled Rice capacity under request.

Indústrias Machina Zaccaria S/A reserves the right to change the information stated in this catalog, including the color and details of the machine, without previous notice.