

# Vertical Whitener BVZ



**BVZ**

**ZACCARIA**

# Vertical Whitener **BVZ**

The Vertical Whitener are an excellent solution for high capacity with efficiency. The BVZ was developed to ensure low grains breakage.

The working principle of the BVZ is the friction action by the rice against the abrasive rings assembled in the interior of the machine. The inlet of the grain is through of a feeding set. The flow of grain, is descendent, using a feeding screw to follow the product. When occurs the contact of the product with the abrasive surface of the rings, part of the germen and the bran layer, are removed.

The brakes are disposed in a radial way are responsible for:

- The Braking Effect: controlling the speed of the rice flow inside the whitening chamber.
- Positioning Effect: ensuring that the grains have spinning movement on their own axis.

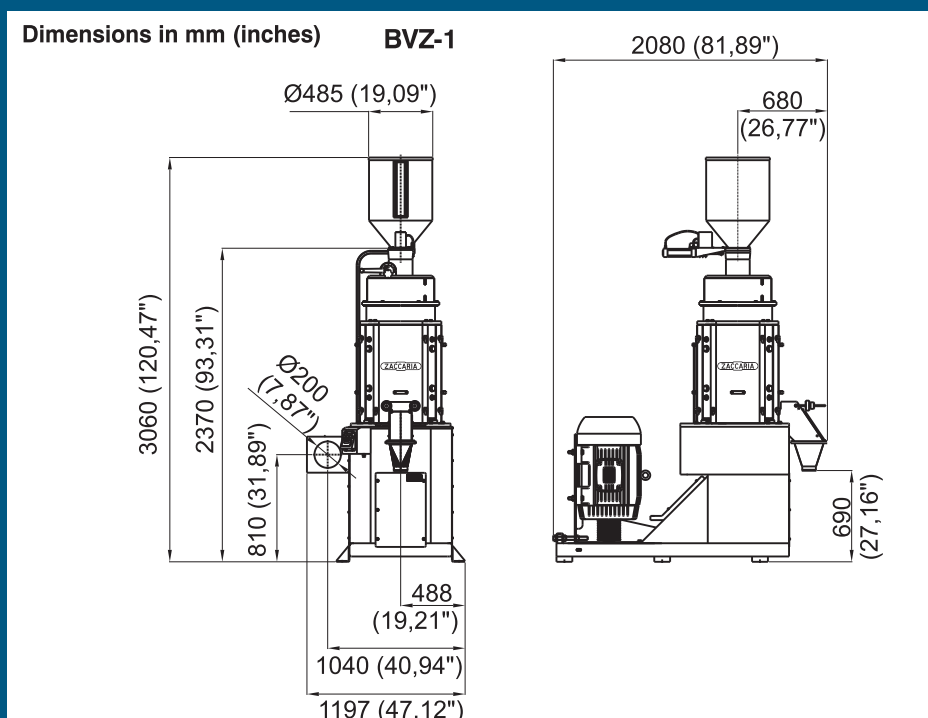
## MAIN FEATURES

- Simple operation and easy maintenance
- Low index of breakage of grains and tips
- Uniform whitening
- High capacity and low power consumption per kilogram
- Motor amperage control system closes the product feeding automatically in case of overload (BVZ-1 and BVZ-2)

## TECHNICAL DATA

Models	Power/ Poles	Capacity inlet: (kg/h)		Air Volume Required (m <sup>3</sup> /min)	Air Pressure Required (mm/H <sub>2</sub> O)	Approx. Shipping Weight (Kg)	Approx. Shipping Volume (m <sup>3</sup> )
<b>BVZ-1</b>	55 kW / IV 75 hp / IV	White Rice 5.400 to 7.200	Parboiled Rice 3.600 to 4.200	60	-120	1.350	6,5
	75 kW / IV 100 hp / IV	White Rice 6.500 to 8.500	Parboiled Rice 4.600 to 5.500				
<b>BVZ-2</b>	37,5 kW / IV 50 hp / IV	White Rice 2.600 to 4.000	Parboiled Rice 1.600 to 3.000	30	-90	1.230	3,5
<b>BVZ-3</b>	18,5 kW / IV 25 hp / IV	White Rice 1.300 to 2.000	Parboiled Rice 1.000 to 1.500	13,5	-150 to -170	450	2,5

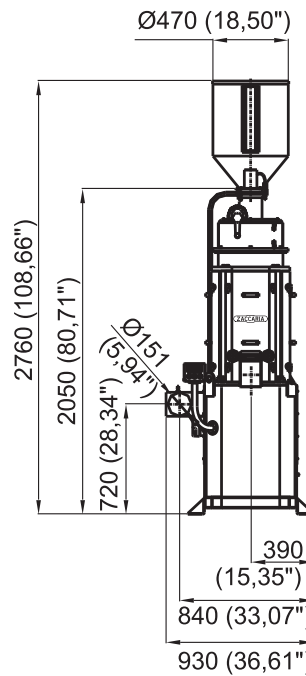
**BVZ-1**



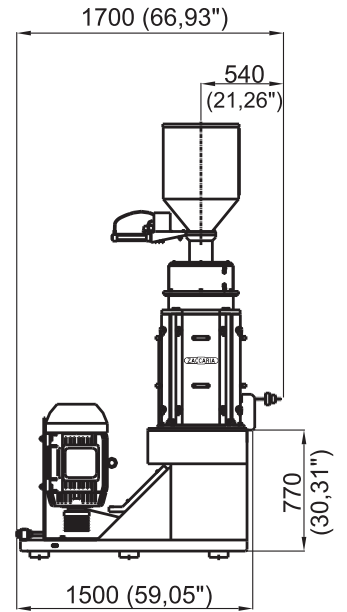
**BVZ-2**



**Dimensions in mm (inches)**



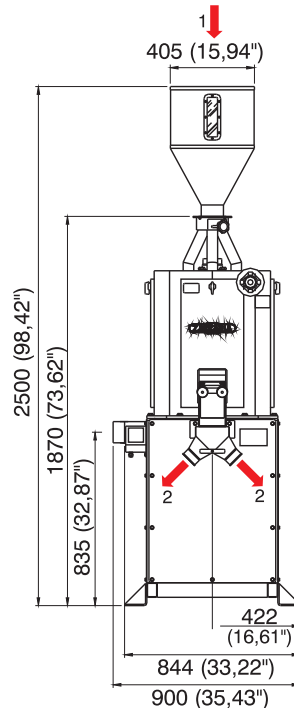
**BVZ-2**



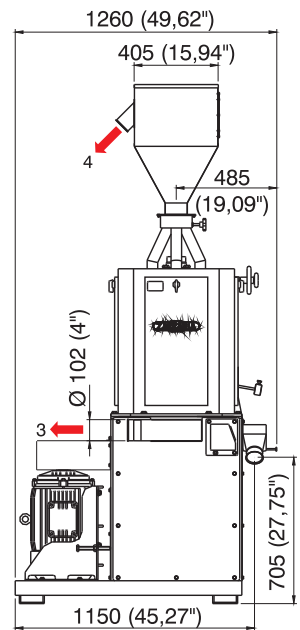
**BVZ-3**



**Dimensions in mm (inches)**



**BVZ-3**



- 1-Rice inlet
- 2-Whitened rice outlet
- 3-Bran outlet
- 4-Hopper bleeder

# Vertical Whitener **BVZ**

- Equipment originally supplied without motor.
- The recommended rice moisture for best results is 12 to 13% (B. U.).
- Production on kg/h, based on tests with Brazilian long rice variety.

.....  
Industrias Machina Zaccaria S/A reserves the right to change the information contained in this catalog, including the color and details of the machine, without previous notice.



OUR EXPERIENCE MAKES THE DIFFERENCE

**INDÚSTRIAS MACHINA ZACCARIA S/A**

Rua Laranjal, 180  
CEP: 13484-016 - Limeira - SP - Brasil  
Phone: (55.19) 3404-5725  
Fax: (55.19) 3404-5720

[www.zaccaria.com.br](http://www.zaccaria.com.br)  
[comex@zaccaria.com.br](mailto:comex@zaccaria.com.br)

