

BHZ-2



Horizontal
Whitening Machine
BHZ-2

ZACCARIA

BHZ-2

Horizontal Whitening Machine BHZ-2

The BHZ-2 is equipped with an electric control, which has some safety features. It has the amperage control, which equilibrates the flow, protecting the system and the motor from overloads. The BHZ-2 ensures the whitening rice most uniform, clean, and lower grains breaking rate, getting more percentage of entire grains.

FEATURES

- Closed structure increasing the stiffness
- An air injector is linked directly to the central axis. This feature releases the air injection, reducing the load losses. It improves the cleaning of grains and also decreases the temperature
- The shielded bearings do not need lubrication, avoiding the rice contamination
- The Pneumatic System “no lube”, (without the oil uses): it provides more parts cleaned, especially the exhaust valve
- The Brakes are simultaneously adjusted through the electric system
- Electric Panel with the safety system which protects the motor from overload, stopping the inlet load, relieving the equipment and lowering the amperage
- The BHZ-2 has a scale that indicates the distance from the brakes to the abrasive stones, allowing to be known the brakes wear without disassembling the equipment
- Structure System with wear out bars, allowing the replacement of the bars only

Model:

BHZ-2

Power / Poles: (50 and 60 Hz)

- Main motor:
37 kW / IV
50 hp / IV
- Air injector
1,5 kW / II
2 hp / II

Capacity: milling inlet rice (kg/h)

3600 to 4200

Air flow required for bran extraction (m³/min):

60

Air pressure required for bran extraction (mmH₂O)

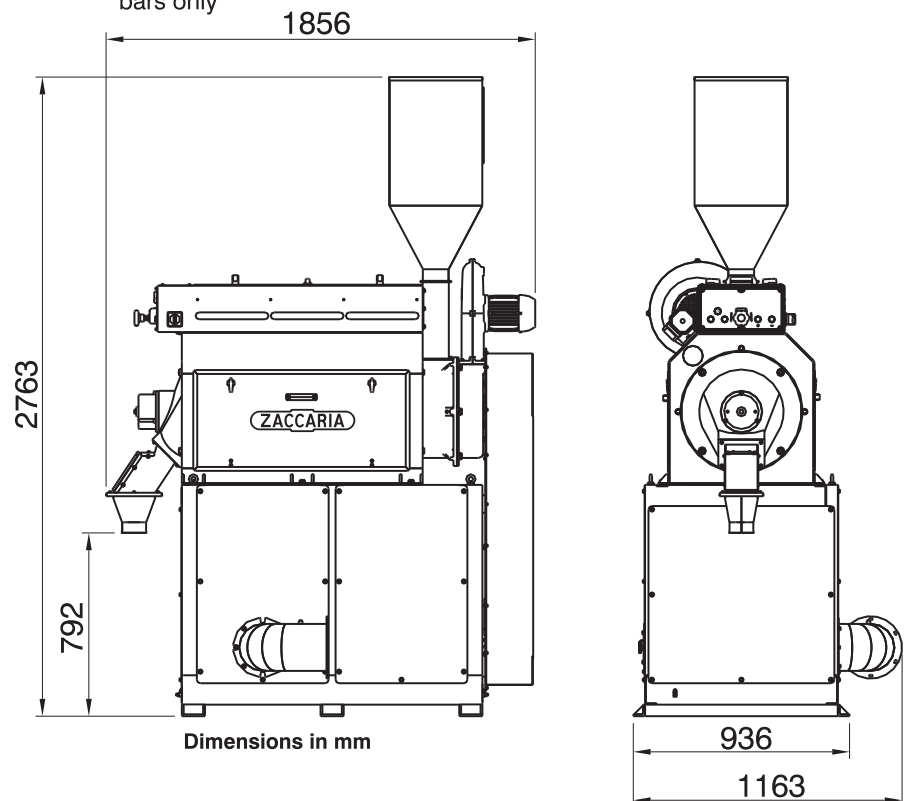
- 150 to - 180

Approx. shipping volume (m³):

6,0

Approx. shipping weight without motor (kg):

1150



ZACCARIA

OUR EXPERIENCE MAKES THE DIFFERENCE

INDÚSTRIAS MACHINA ZACCARIA S/A

Rua Laranjal, 180
CEP: 13484-016 - Limeira - SP - Brasil
Phone: (55.19) 3404-5745

www.zaccaria.com.br
comex@zaccaria.com.br



Note: Production in kg/h, based on tests with thin long rice.

For maximum performance, paddy moisture content should be within 12 to 13%.

Indústrias Machina Zaccaria S/A reserves the right to change the information contained in this catalog, including the color and details of the machine, without previous notice.