

# Density Cleaning Chamber



**CLDZ**

**ZACCARIA**

# Density Cleaning Chamber **CLDZ**

The line of equipment Density Cleaning Chamber model CLDZ, has been developed with the purpose to remove any impurities lighter than the grain being processed, such as rice, bean, maize, wheat, barley, rye and other types of products\*\*.

The closed Circuit Chamber system provides a dust free operation and therefore it meets the strictest international standards of quality, hygiene and sanitation.

\*\* The machine must be assembled with a frequency inverter (the application must be checked by our Engineering Team).

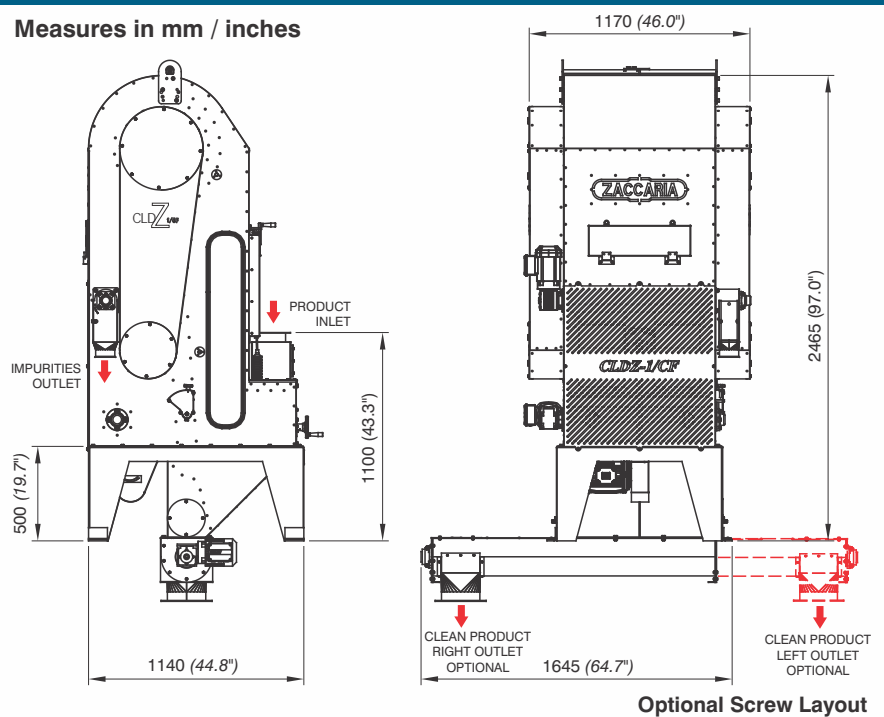
## TECHNICAL FEATURES

- Single frame structure, ensuring lightness and rigidity
- Replacement parts (belts and bearings) are commercially easily found
- Feeding through a vibratory mechanical system
- It has valve with double adjustment on the aspiration channel
- Equipped with a valve for the air flow control
- Double radial centrifugal fan that ensures the proper and evenly air distribution in the aspiration channel
- The impurities are discharged by a screw conveyor
- When used the equipment with outlet product screw conveyor, this screw is optional, being right or left side.
- Closed Chamber System dismisses the need of some extra elements such as cyclones or filters

## TECHNICAL DATA

Model	Power/Poles				Inlet capacity: (kg/h)			Approx. weight: packaged (Kg)	Approx. volume: packaged (m <sup>3</sup> )
	Fan Motor	Impurity Screw Gearmotor	Vibrating Sieve Gearmotor	Outlet Screw Gearmotor	White Rice	Bean	Maize		
CLDZ-1/CF	3 kW / IV 4 hp / IV	0,25 kW / IV 0,33 hp / IV	0,55 kW / II 0,75 hp / II	0,37 kW / IV 0,5 hp / IV	2.000 to 12.000	until 6.000	until 6.000	450	5,0
CLDZ-1/CFi	3 kW / IV 4 hp / IV	0,25 kW / IV 0,33 hp / IV	0,55 kW / II 0,75 hp / II	0,37 kW / IV 0,5 hp / IV	2.000 to 12.000	until 6.000	until 6.000	450	5,0
CLDZ-2/CF	2 x 1,5 kW / IV 2 x 2,0 hp / IV	0,25 kW / IV 0,33 hp / IV	0,55 kW / II 0,75 hp / II	0,37 kW / IV 0,5 hp / IV	12.000 to 18.000	until 9.000	until 10.000	650	8,0
CLDZ-2/CFi	2 x 1,5 kW / IV 2 x 2,0 hp / IV	0,25 kW / IV 0,33 hp / IV	0,55 kW / II 0,75 hp / II	0,37 kW / IV 0,5 hp / IV	12.000 to 18.000	until 9.000	until 10.000	650	8,0

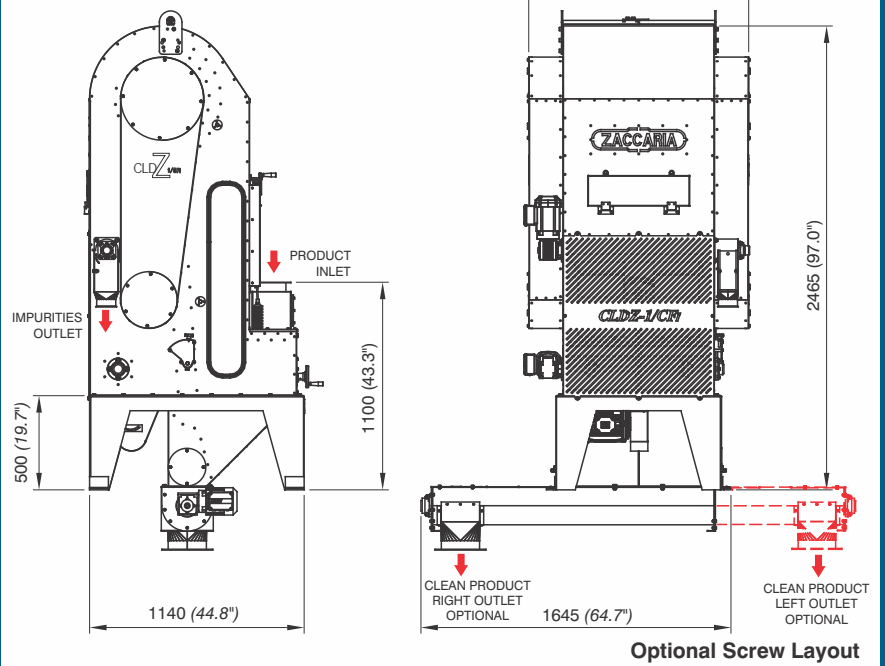
CLDZ-1/CF



CLDZ-1/CFi (Stainless Steel Line)



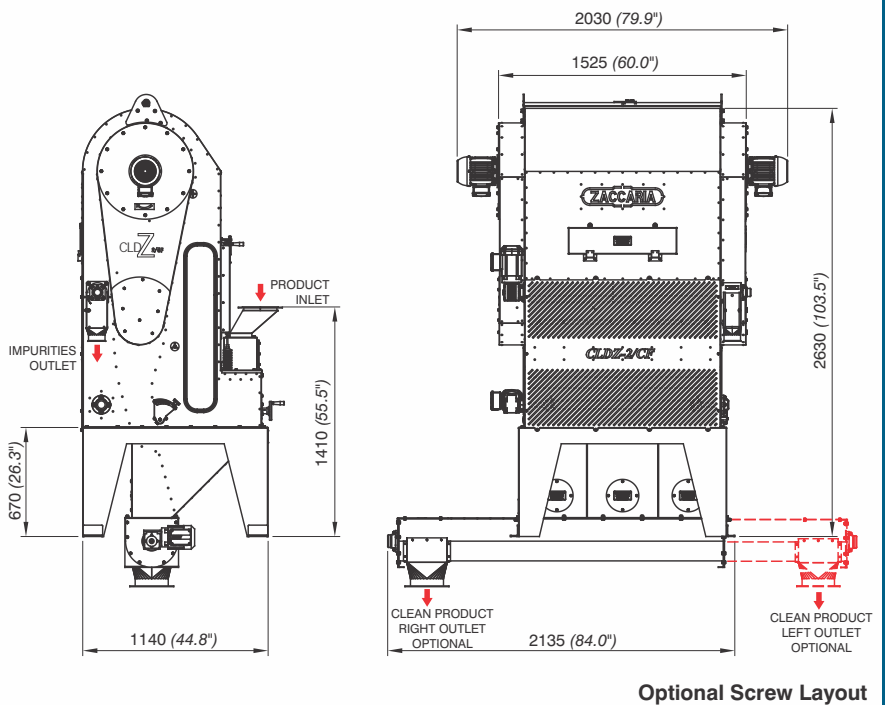
Measures in mm / inches



CLDZ-2/CF



Measures in mm / inches

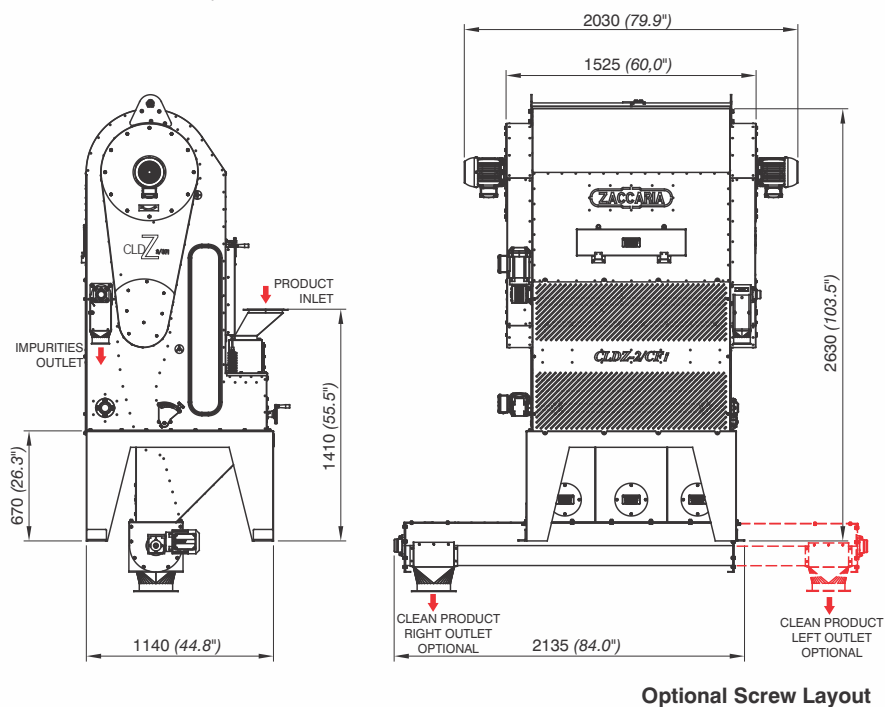


# Density Cleaning Chamber **CLDZ**

## CLDZ-2/CFi (Stainless Steel Line)



Measures in mm / inches



- NOTE.: - Equipment originally supplied with motor.
- The outlet screw conveyour is defined regarding each project.
  - For the others cereals and leguminous working capacity, please consult us.
  - The recommended rice moisture for best results is 12 to 13% (B. U.).
  - Production on kg/h, based on tests with Brazilian long rice variety

.....  
 Industrias Machina Zaccaria S/A reserves the right to change the specifications including the color of the machine and other details without previous notice.



EXPERIENCE THAT MAKES THE DIFFERENCE

**INDÚSTRIAS MACHINA ZACCARIA S/A**  
 Rua Laranjal, 180  
 CEP: 13484-016 - Limeira - SP - Brasil  
 Phone: +55 19 3404.5745

[www.zaccaria.com.br](http://www.zaccaria.com.br)  
[comex@zaccaria.com.br](mailto:comex@zaccaria.com.br)