

Destoner

SDZ-1/CFR



SDZ-2/CFR



SDZ

ZACCARIA

Destoner **SDZ**

The Closed Circuit Densimetric Separator (Destoner), models SDZ-1/CFR and SDZ-2/CFR, were developed to separate small impurities that are heavier than rice grains, cereals and leguminous such as stones, fragments of glass, metal, which ones were not eventually removed by cleaners at the beginning or during the process. The separation of these elements is done using the difference of the density as the working principle.

The machines have a fan ventilation that produces the ascendent air flow by the screen holes, added to the vibratory movement and the inclination of the screens that increase the dispersion between the impurities and grains ensuring the best separation of the heaviest impurities.

The closed circuit system ensures a high efficient separation without causing pollution for the environment.

These models are more modern than the last ones where the separation happened in just one step, now it is made in two ones, which the first is made in a main upper screen responsible to keep the heaviest impurities with a part of grains and after discharge this mix (grains + impurities) in the lower screen that vibrates and separates the two steps until the end.

These machines have an excellent system using two screens getting a continuous process without frequent adjustments necessary on the last model.

Another innovation consists in an automatic stopping by a pneumatic system, which interrupts the inlet flow when the machines work in a low or excessive capacity avoiding the product missing or the excess during the process.

TECHNICAL FEATURES

- Level sensors (upper and lower) ensure a constant flow
- Charge control with pneumatic system
- Screens set made of stainless steel
- Adjustments for the screens inclination and level
- Displays for inspection
- Sample collector at the product
- Low consumption of air to extract the dust
- Control Panel to start the motors
- Spare parts (belts and bearings) easily found on the market

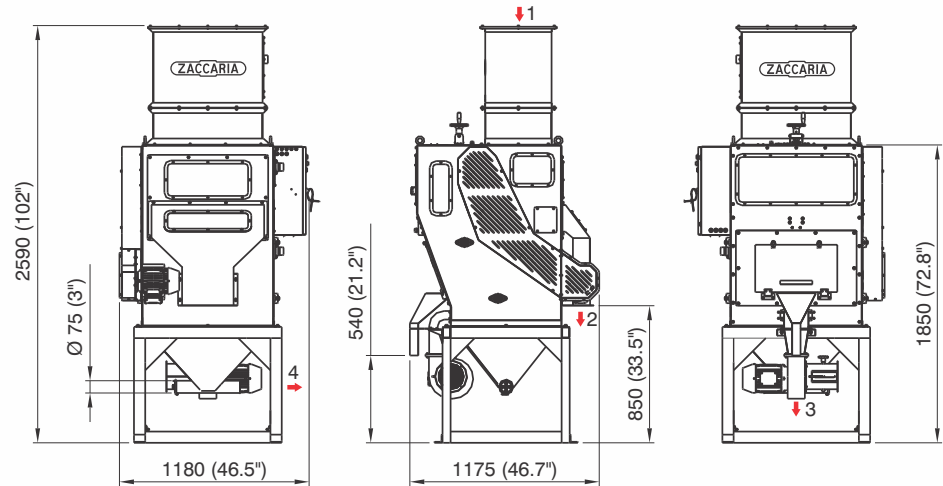
TECHNICAL DATA

Models	Power/Poles			Inlet capacity: (kg/h)			Pressure of compressed air power		Compressed air consumption		Air requirement		Approx. weight: packaged (Kg)	Approx. volume: packaged (m ³)
	Motor (50 - 60 Hz)	Fan		Brown Rice	Bean	Maize	bar (kgf/cm ²)	lbf/in ²	l/min	pcm	Air pressure (mmca)	Air flow required (m ³ /m)		
		(50 Hz)	(60 Hz)											
SDZ-1/CFR	1,1 kW / IV 1,5 hp / IV	0,37 kW / II 0,5 hp / II	0,75 kW / II 1,0 hp / II	3.600 to 7.000	1.000 to 3.000	2.000 to 4.000	8	115	0,10	0,004	-60 to -80	5	400	3
SDZ-2/CFR	(2x) 1,1 kW / IV 1,5 hp / IV	(2x) 0,37 kW / II 0,5 hp / II	(2x) 0,75 kW / II 1,0 hp / II	3.600 to 14.000	3.000 to 6.000	4.000 to 8.000	8	115	0,11	0,004	-60 to -80	10	685	6,8

SDZ-1/CFR



Measures in mm / inches

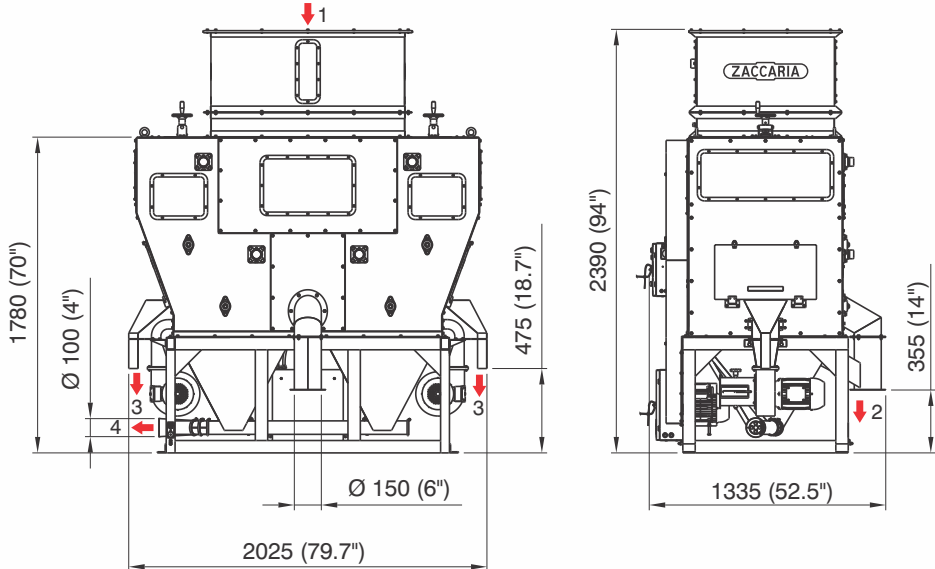


Note:1-Product Inlet; 2-Product Outlet; 3-Impurities Outlet; 4-Dust Suction

SDZ-2/CFR



Measures in mm / inches



Note:1-Product Inlet; 2-Product Outlet; 3-Impurities Outlet; 4-Dust Suction

Destoner **SDZ**

NOTE: - Production capacity for other cereals and leguminous, consult us.
- Equipment originally supplied with motor.

.....
Industrias Machina Zaccaria S/A reserves the right to change the specifications including the color of the machine and other details without previous notice.



EXPERIENCE THAT MAKES THE DIFFERENCE

INDÚSTRIAS MACHINA ZACCARIA S/A
Rua Laranjal, 180
CEP: 13484-016 - Limeira - SP - Brasil
Phone: +55.19 3404-5745

www.zaccaria.com.br
comex@zaccaria.com.br