

Paddy Separator SMAZ



SMAZ

ZACCARIA

Paddy Separator **SMAZ**

The Paddy Separator model SMAZ have an oscillating system with indented trays to separate the paddy rice from the brown rice. The principle of this is by the difference of density and inclination of the trays, associated to the oscillated movement.

This application reaches the highest efficiency of the process with low power consumption required.

MAIN FEATURES

- They are built with welded structure, warranting less weight and more stiffness
- Level sensors that guarantee constant feeding control
- Stainless steel indented trays
- The Stainless Steel model SMAZI: all the product have contact in stainless steel parts

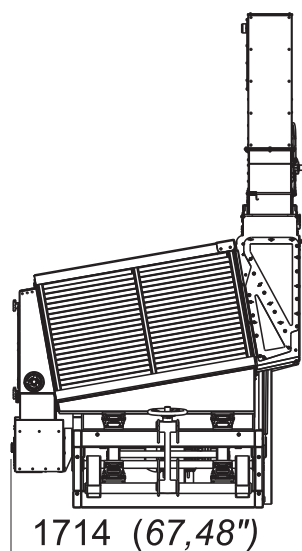
TECHNICALS DATA

Models	Power/ Poles	Outlet capacity: Brown Rice (kg/h)	Approx. shipping weight (kg)	Approx. shipping volume (m ³)
SMAZI-2 and SMAZ-2	2,20 kW / VI 3 hp / VI	4.000 to 6.600	1.267	12,5
SMAZI-3 and SMAZ-3	2,94 kW / VI 4 hp / VI	9.000	1.900	14

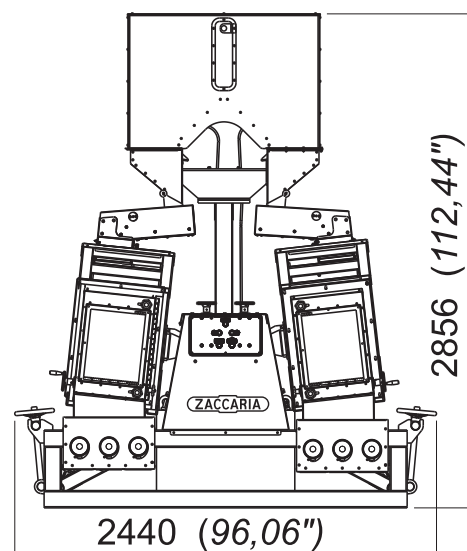
SMAZ-2



Dimensions in mm (inches)



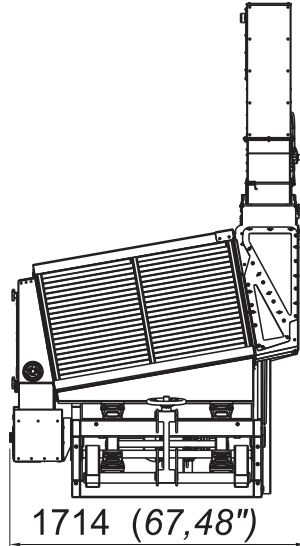
SMAZ-2



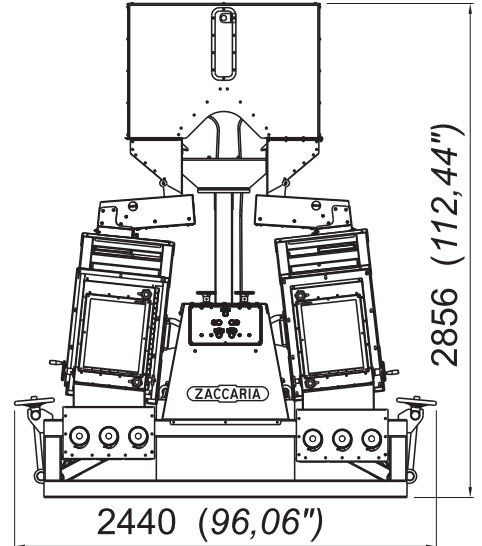
SMAZI-2
(Stainless Steel Line)



Dimensions in mm (inches)



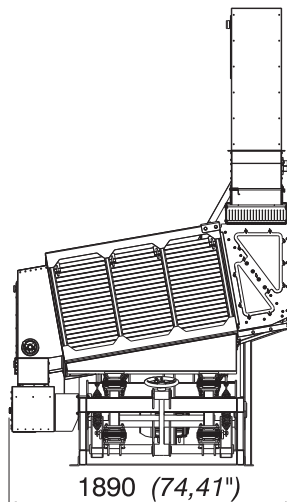
SMAZI-2



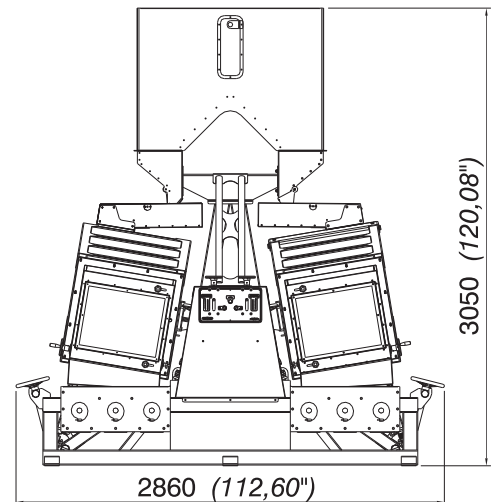
SMAZI-3
(Stainless Steel Line)



Dimensions in mm (inches)



SMAZI-3 / SMAZ-3



Available in stainless steel.

Paddy Separator **SMAZ**



OPTIONAL: The protection cage meets the requirements of NR-12 safety standards, which aim to protect the operator from the moving parts of the equipment.

- Machine supplied without motor.
- For maximum performance, paddy moisture contents should be between 12 to 13% (B.U.).
- Production in kg/h, based on tests with Brazilian long rice grain type.
- The equipment efficiency can change due to the mix ratio between paddy rice and brown rice to be separated.

.....
Industrias Machina Zaccaria S/A reserves the right to change the specifications including the color of the machine and other details without previous notice.



EXPERIENCE THAT MAKES THE DIFFERENCE

INDÚSTRIAS MACHINA ZACCARIA S/A
Rua Laranjal, 180
CEP: 13484-016 - Limeira - SP - Brasil
Phone: +55 19 3404-5745

www.zaccaria.com.br
comex@zaccaria.com.br