

SCCZ-4



Cereal Continuous
Conditioner
SCCZ-4

ZACCARIA

SCCZ-4

Model:
SCCZ-4

Power / poles:
7,5 kW / IV
10 hp / IV

Capacity: Maize inlet (kg/h)
5000 to 7000

Water flow (l/h):
Up to 300

Approximated volume: packaged (m³)
4,5

Approximated weight: packaged (kg)
550



- Equipment originally supplied with motor.
Indústrias Machina Zaccaria S/A reserves the right to change the specifications herein stated, including color and details, without previous notice.

Cereal Continuous Conditioner SCCZ-4

The Cereal Continuous Conditioner, model SCCZ-4 was developed to reach the best efficacy in the grains conditioning, ensuring a homogeneous water absorption in little time.

At the specific case of the semi-humid degermination process, the water must reach the grains skin and the germ without increasing the moisture of the degerminated maize.

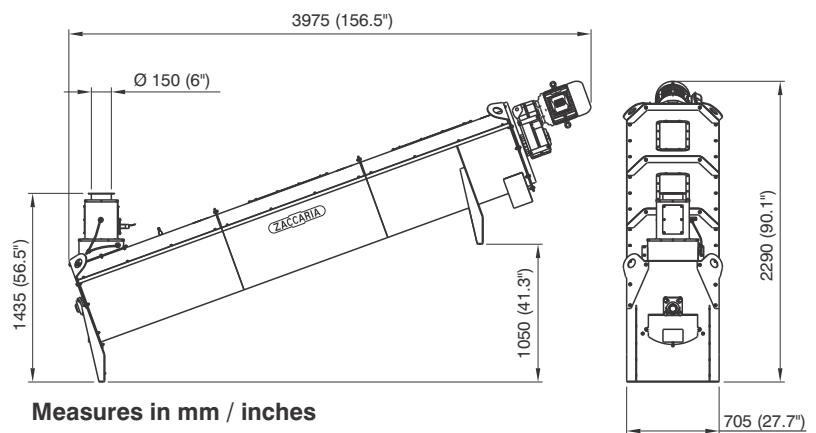
The SCCZ-4 has a control system to add water through 2 (two) flow meters in different points to improve the water homogenization.

TECHNICAL FEATURES

- The model is made in Stainless Steel
- It is driven by a gearmotor assembled direct in the axis
- Control panel with feeding adjustment by frequency inverter
- Control panel with production control and water flow
- Acrylic windows promoting the best cleaning and visualization
- Recommended to be attached to the Zaccaria Degerminators

SCCZ-4 CONDITIONS ADVANTAGES

- Continuous system
- Higher yield in the degermination
- Better Homogenization of the grains
- Less conditioning time



ZACCARIA

EXPERIENCE THAT MAKES THE DIFFERENCE

INDÚSTRIAS MACHINA ZACCARIA S/A
Rua Laranjal, 180
CEP: 13484-016 - Limeira - SP - Brasil
Phone: +55.19 3404-5745

www.zaccaria.com.br
comex@zaccaria.com.br