

DAZ/CFR-6000SI R10



Paddy Husker
DAZ/CFR-6000SI R10

ZACCARIA

DAZ/CFR-6000SI R10

Model:

DAZ/CFR-6000SI R10

Power / Poles:

Paddy husker	Husk chamber	Fan
7,5 kW / IV	3 kW / IV	0,18 kW / II
10 hp / IV	4 hp / IV	0,25 hp / II
Paddy Husker	Chamber	
Feeder	Feeder	
0,36 kW / IV	0,55 kW / IV	
0,5 hp / IV	0,75 hp / IV	

Capacity: Input capacity on paddy (kg/h):

4.000 to 5.500

Feeding compressed air pressure:

bar (kgf/cm ²)	lbf/in ²
7,0	100

Air consumption:

pcm	l/min
0,01	0,30

Air Flow required for aspiration of paddy husker (m³/min):

6,0

Air Flow required for aspiration of husking chamber (m³/min):

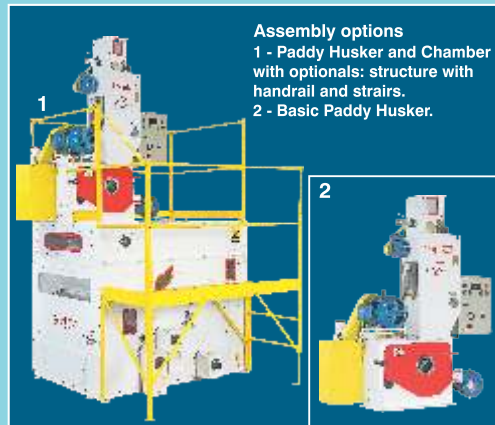
9,0

Approximated volume: packaged (m³)

13

Approximated weight: packaged (kg)

1700



Assembly options
 1 - Paddy Husker and Chamber with optionals: structure with handrail and stairs.
 2 - Basic Paddy Husker.

Note: - Production in kg/h, based on tests with Brazilian long grain rice.
 - The recommended rice moisture for the best use is within 12-13% (B.U.)
 - Other applications consult us.
 - Equipment originally supplied with motors.

Indústrias Machina Zaccaria S/A reserves the right to change the information contained in this catalog, including the color and details of the machine, without previous notice.

Paddy Husker DAZ/CFR-6000SI R10

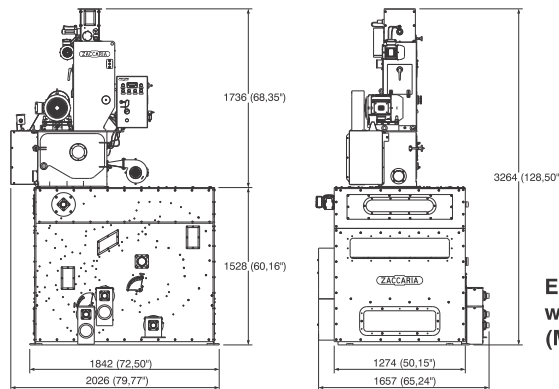
The Paddy Husker model DAZ-6000SI, that works with international standard 10x10 rubber rolls, is assembled with the closed circuit chambers model CFZR-6000.

This chamber has a screw which ensures better efficiency in rice distribution, due the perfect distribution of rice flow which achieve a good husk separation.

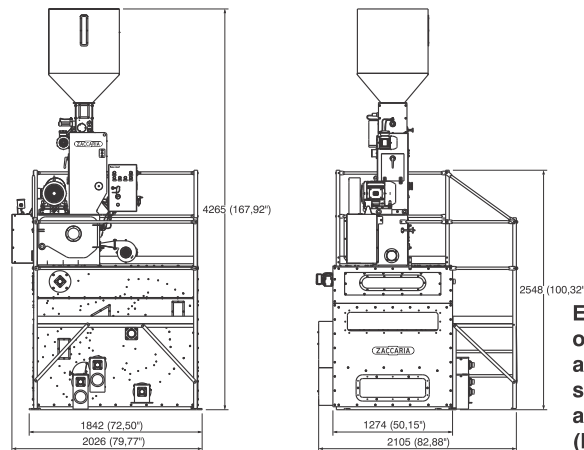
For companies that are looking for a Paddy Husker and Chamber with good cost-benefit, for sure this is the best option.

CHARACTERISTICS

- Equipped with high and low level sensors ensuring a uniform process.
- Set of hydraulic damping, exclusivity by Zaccaria which ensures a uniform husking operation with less vibration, thereby providing a better husking index with lower pressures and less broken kernel.
- Closed circuit husking chamber.
- Adjustable distribution screw, thereby ensuring a better rice distribution.
- Safety device against rice overload at the screw's output.
- Maintenance structure with handrail (optional) increasing the operator security.
- Feed Hopper (optional).
- Feeding system manufactured in stainless steel increases the durability of the components, due to abrasiveness of paddy rice.
- Cooler system for rubber rolls, reducing the temperature thereby increasing its durability and improving the husking rate.



Equipment without optionals
(Measures in mm/inches)



Equipment with optionals - feed hopper and maintenance structure and handrail and stairs.
(Measures in mm/inches)



EXPERIENCE THAT MAKES THE DIFFERENCE

INDÚSTRIAS MACHINA ZACCARIA S/A
 Rua Laranjal, 180
 CEP: 13484-016 - Limeira - SP - Brasil
 Phone: +55.19 3404-5745

www.zaccaria.com.br
comex@zaccaria.com.br