

# CRZ-2



Testing Rice Grader  
**CRZ-2**

**ZACCARIA**

# CRZ-2

**Model:**

CRZ-2

**Power / Poles: (50 and 60 Hz)**0,18 kW / IV  
1/4 hp / IV**Capacity of sample (g):**

100

**Approx. shipping volume (dcm<sup>3</sup>):**

20

**Approx. shipping weight with (01) indented cylinder (kg):**

18

**Digital scale (optional)**

.....  
Indústrias Machina Zaccaria S/A reserves the right to change the information contained in this catalog, including the color and details of the machine, without previous notice.

## Testing Rice Grader CRZ-2

The Zaccaria Testing Rice Grader is a very important equipment in the rice processing control because through it we can collect with efficiency the indexes of broken grain, during and after this process. It is recommended to use in the process line, and at the laboratory.

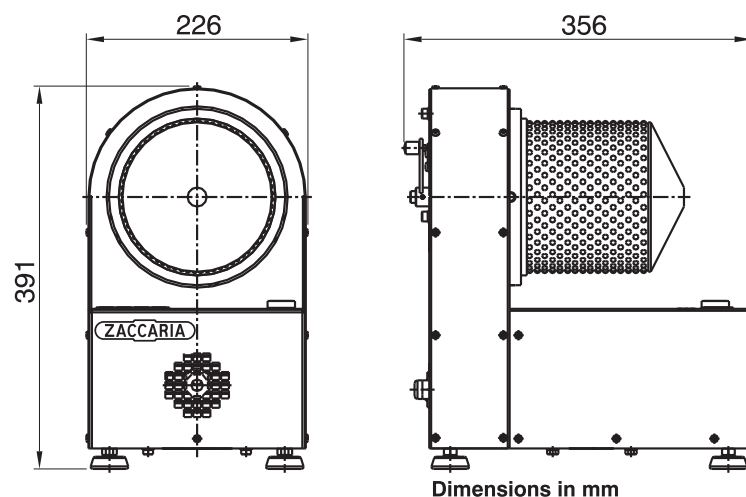
Thinking of getting a higher degree of accuracy and repeatability of results in a greater dimensional precision, there are available different measures of indents by adjusting at several applications.

### FEATURES

- Whole and broken grain rice classification
- Separation by a rotating indented cylinder
- Compact design, easy operation, maintenance and transportation
- It includes one (01) indented cylinder (must be informed the measure of the indents, in according to the application)

### OPTIONAL

- Digital Scale
- Several other measures of indents available (must be checked the application)



# ZACCARIA

OUR EXPERIENCE MAKES THE DIFFERENCE

**INDÚSTRIAS MACHINA ZACCARIA S/A**Rua Laranjal, 180  
CEP: 13484-016 - Limeira - SP - Brasil  
Phone: (55.19) 3404 5745[www.zaccaria.com.br](http://www.zaccaria.com.br)  
[comex@zaccaria.com.br](mailto:comex@zaccaria.com.br)