

Paddy Husker



DAZ-7000 SI

ZACCARIA

Paddy Husker **DAZ-7000 SI**

The Paddy Husker (model DAZ-7000 SI) can be supplied on the version R5 to be used with number 5 rubber rolls or on the version R10 to be used with 10" x 10" international standard rubber rolls.

The feeding system by vibrating chutes produces a uniform rice layer among the rolls, ensuring the highest husking level and the least broken grains.

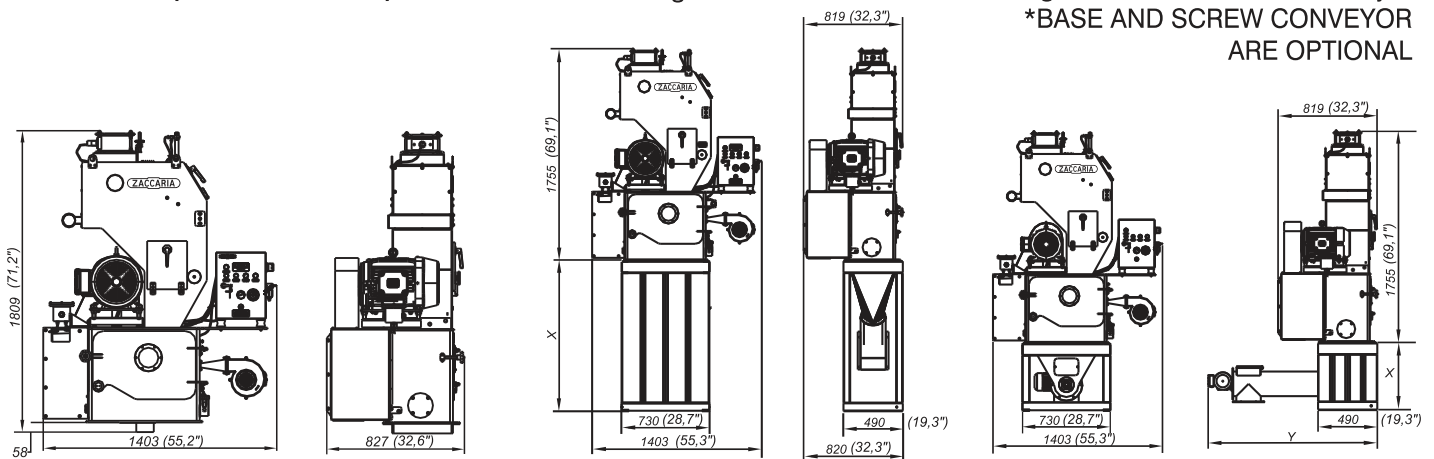
The rubber rolls cooling system ensures that they work in lower temperatures, increasing their useful life.

The equipment is composed by levels sensors (low and high) and also by a safety system in case of lack of the product, this makes the equipment essential for the rice companies, attending all the national safety rules.

DAZ-7000 SI
R5 and R10



Measures in (mm and inches)

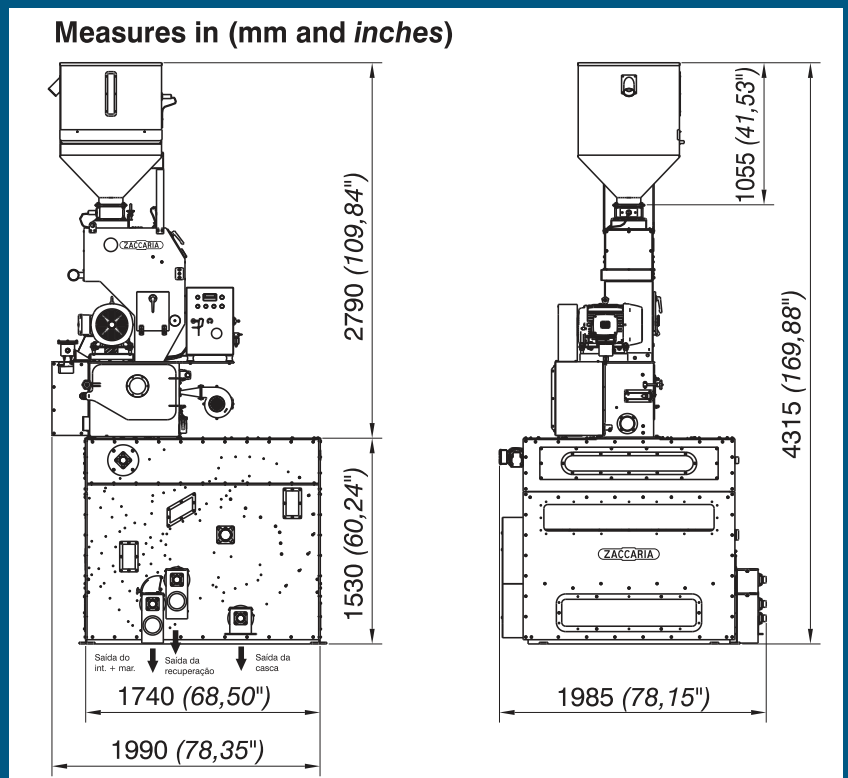


Model	Power Paddy Husker	Air compressed requirement (bar kgf/cm ² - lbf/in ²)	Air compressed consumption (pcm - l/min)	Air flow required for aspiration of paddy husker (m ³ /min)
DAZ-7000 SI R5 and R10	12,5 hp (9 kW) 1.500 rpm (50 Hz) or 1.800 rpm (60 Hz)	7 - 100	0,01 - 0,30	6
Model	Inlet capacity: paddy rice (kg/h)	Approximated weight: packaged (kg)	Approximated volume: packaged (m ³)	
DAZ-7000 SI R5 and R10	5.500 to 6.400	500	2,2	

It can be used with the husk separation chamber, on the carbon steel version (model DAZ/CFR-7000 SI) or stainless steel version (model DAZ/CFRi-7000 SI), becoming the best option for the people who need high production, sturdy and the best yield in the rice husking process.



**DAZ/CFR 7000 SI
R5 and R10**



Model	Power Paddy Husker	Power Husk Chamber	Power Fan	Air compressed requirement (bar kgf/cm ² - lbf/in ²)	Air compressed consumption (pcm - l/min)	Air flow required for aspiration of paddy husker (m ³ /min)	Air flow required for aspiration of husking chamber (m ³ /min)
DAZ/CFR 7000 SI R5 and R10	12,5 hp (9 kW) 1.500 rpm (50 Hz) or 1.800 rpm (60 Hz)	•5 hp (3,7 kW) 1.500 rpm (50 Hz) or 1.800 rpm (60 Hz) •0,75 hp (0,55 kW) 3.000 rpm (50 Hz) or 3.600 rpm (60 Hz)	0,25 hp (0,18 kW) 3.000 rpm (50 Hz) or 3.600 rpm (60 Hz)	7 - 100	0,01 - 0,30	6	9

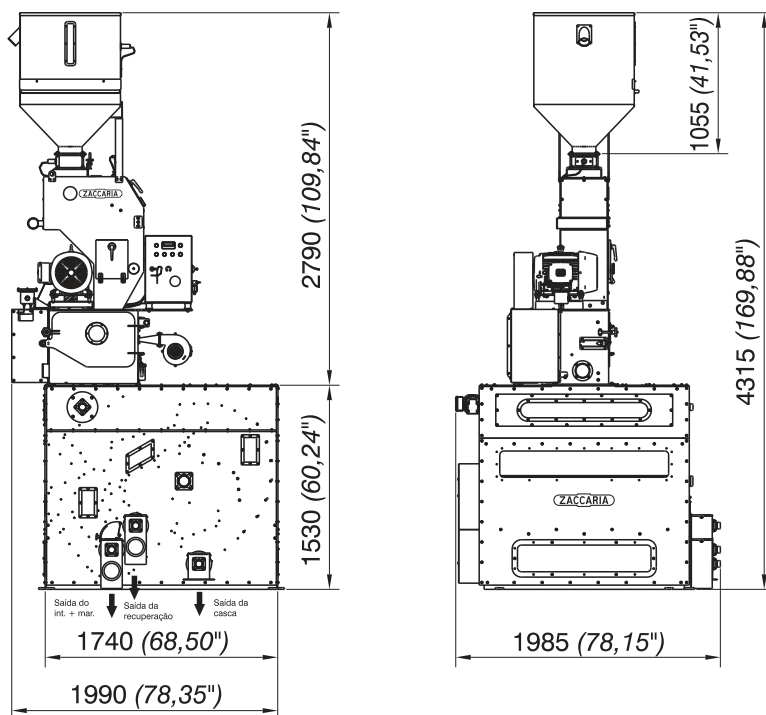
Model	Inlet capacity: paddy rice (kg/h)	Approximated weight: packaged (kg)	Approximated volume: packaged (m ³)
DAZ/CFR 7000 SI R5 and R10	5.500 to 6.400	1.900	13

Paddy Husker **DAZ-7000 SI**



DAZ/CFRI 7000 SI
R5 and R10 (Stainless
Steel Chamber)

Measures in (mm and inches)



Model	Power Paddy Husker	Power Husk Chamber	Power Fan	Air compressed requirement (bar kgf/cm ² - lbf/in ²)	Air compressed consumption (pcm - l/min)	Air flow required for aspiration of paddy husker (m ³ /min)	Air flow required for aspiration of husking chamber (m ³ /min)
DAZ/CFRI 7000 SI R5 and R10	12,5 hp (9 kW) 1.500 rpm (50 Hz) or 1.800 rpm (60 Hz)	•5 hp (3,7 kW) 1.500 rpm (50 Hz) or 1.800 rpm (60 Hz) •0,75 hp (0,55 kW) 3.000 rpm (50 Hz) or 3.600 rpm (60 Hz)	0,25 hp (0,18 kW) 3.000 rpm (50 Hz) or 3.600 rpm (60 Hz)	7 - 100	0,01 - 0,30	6	9

Model	Inlet capacity: paddy rice (kg/h)	Approximated weight: packaged (kg)	Approximated volume: packaged (m ³)
DAZ/CFRI 7000 SI R5 and R10	5.500 to 6.400	1.900	13

- Equipment supplied with motor.
- For maximum performance, paddy moisture contents should be between 12 to 13% (B.U.).
- Production in kg/h, based on tests with Brazilian long rice grain type.
- Optional in all versions: Platform, Handrail, Ladder and Feeding Hopper.

.....
Industrias Machina Zaccaria S/A reserves the right to change the specifications including the color of the machine and other details without previous notice.



EXPERIENCE THAT MAKES THE DIFFERENCE

INDÚSTRIAS MACHINA ZACCARIA S/A
Rua Laranjal, 180
CEP: 13484-016 - Limeira - SP - Brasil
Phone: +55 19 3404-5745

www.zaccaria.com.br
comex@zaccaria.com.br