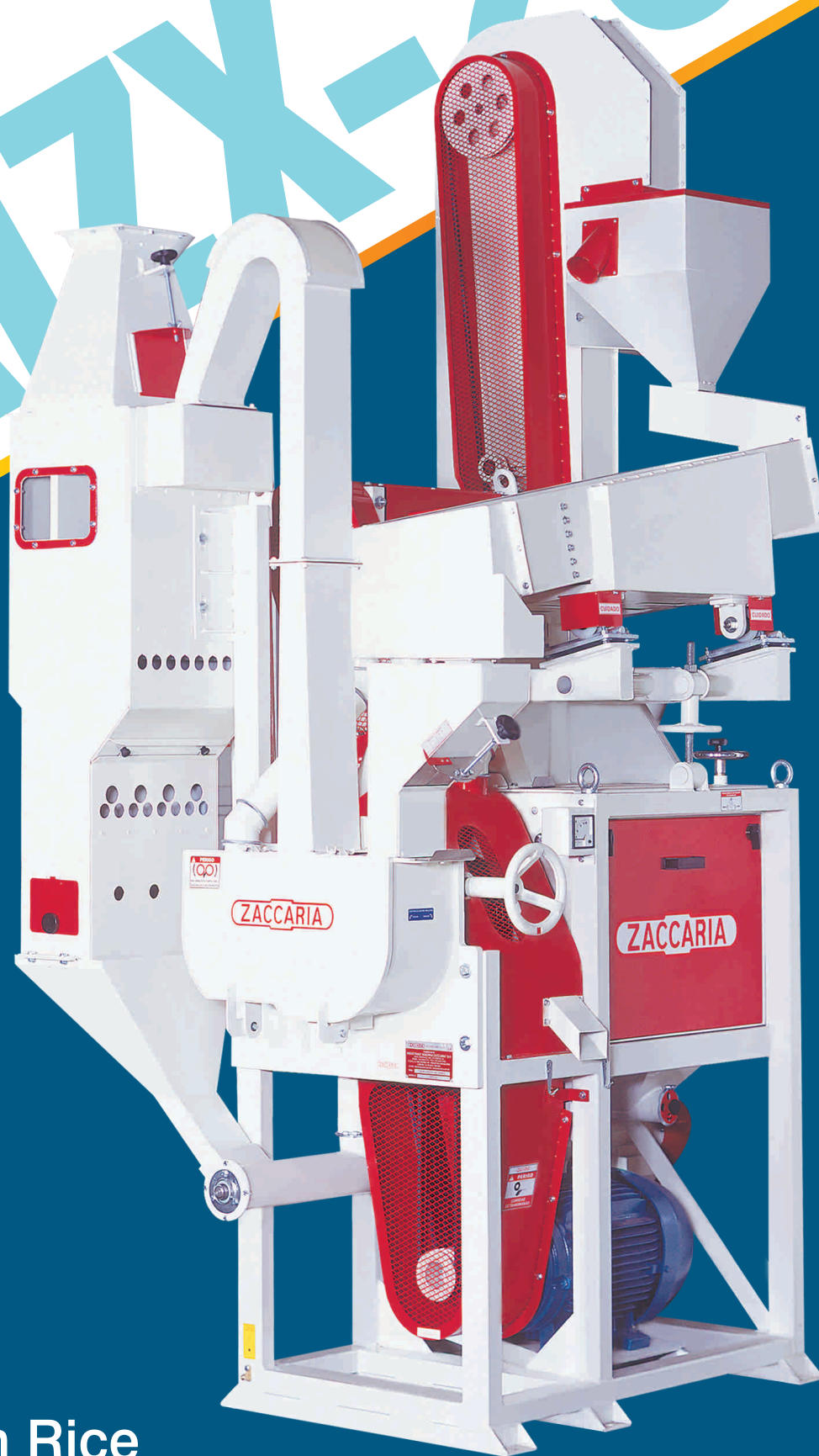


# AIZX-25



Brown Rice  
and Whitening Unit  
**AIZX-25**

**ZACCARIA**

# AIZX-25

## Brown Rice and Whitening Unit **AIZX-25**

The Zaccaria rice milling machine ZX were developed to meet the needs of small industries.

The Brown Rice and Whitening Unit model AIZX-25 is a compact machine with inlet capacity of 1250 kg/h (paddy rice)

This unit is composed of a paddy husker that uses 6" x 8. 3/4" rubber rolls, husk separation chamber, paddy separator with indented plate and a whitener that removes the bran layer and germ from the rice kernels through an abrasive action, providing higher number of whole kernels and better surface finishing. This equipment is a excellent solution for who want to start in the rice business or expand his already existing installation, at low cost.

### Model:

**AIZX-25**  
.....

### Power / Poles:

22,5 kW / IV  
30 hp / IV  
.....

### Inlet capacity (kg/h):

1050 to 1250  
.....

### Outlet capacity (kg/h):

750 to 900  
.....

### Approx. shipping volume (m<sup>3</sup>):

7  
.....

### Approx. shipping weight (kg):

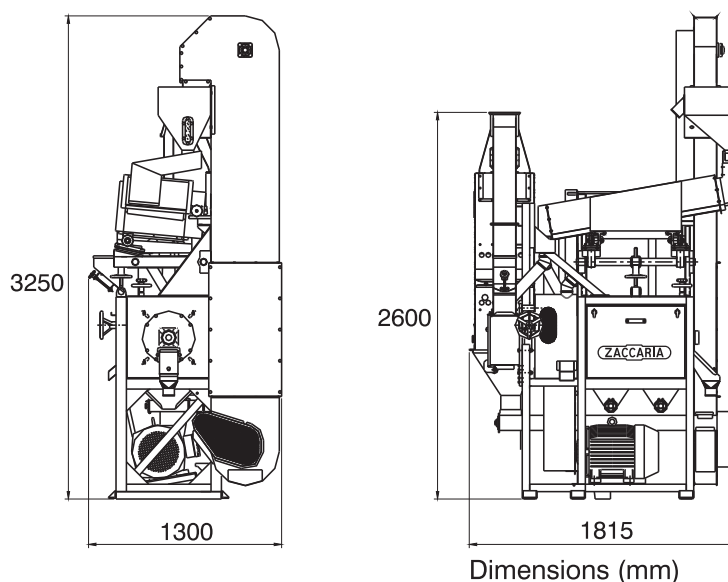
1020  
.....

### FEATURES

- Four operations in one unit: husking, husk separation, paddy separation and whitening
- Screw conveyor and elevator, both coupled with the unit
- A single electrical motor
- Husk aspiration by a pneumatic system
- Bran aspiration by a pneumatic system

### ADVANTAGES

- Permits modular assembling
- Permits the total control of the process
- Simple maintenance
- Compact design
- Low power consumption



# ZACCARIA

OUR EXPERIENCE MAKES THE DIFFERENCE

**INDÚSTRIAS MACHINA ZACCARIA S/A**

Rua Laranjal, 180  
CEP: 13484-016 - Limeira - SP - Brasil  
Phone: (55.19) 3404-5725  
Fax: (55.19) 3404-5720

[www.zaccaria.com.br](http://www.zaccaria.com.br)  
[comex@zaccaria.com.br](mailto:comex@zaccaria.com.br)



Note: This machine is originally supplied from factory without motor. For the best performance we recommend that it be supplied with motor.

.....  
Indústrias Machina Zaccaria S/A reserves the right to change the information stated in this catalog, including the color and other details, without previous note.