

BHZ-3



Horizontal
Rice Whitening Machine
BHZ-3

ZACCARIA

BHZ-3

Horizontal Rice Whitening Machine BHZ-3

There are two rice whitening machines in the market: the vertical and the horizontal types, each one has its own advantages and characteristics, according to its applicability.

Due to several advantages that the horizontal whitening machine presents, Zaccaria adopted this equipment as its main product to the whitening line.

Over the years we developed and improved our whitening machines to offer to the rice processing industry the Horizontal Whitening Machine BHZ-3: an innovatory equipment with high performance, yield and productivity. The machine brings a simple and efficient digital system that becomes automatic and available all the whitening process for any customer.

This equipment is the most complete and revolutionary rice whitening machine in the market. It will surprise those whom that already have a production line and look for a big capacity or those that are starting in the segment and looking for "the best".



Control Panel

Model:

BHZ-3

Power / poles:

- Main Motor
75 kW / IV
100 hp / IV
- Fan Motor
3 kW / II
4 hp / II
- Load System Motor
0,25 kW / IV
0,33 hp / IV
- Brake Motor System
0,18 kW / IV
0,25 hp / IV

Capacity: rice inlet (kg/h)

6500 to 8500

Air flow required for bran extraction (m³/min):

80

Air pressure required for bran extraction (mmH₂O)

- 120 to - 150

Approx. Shipping Volume (m³):

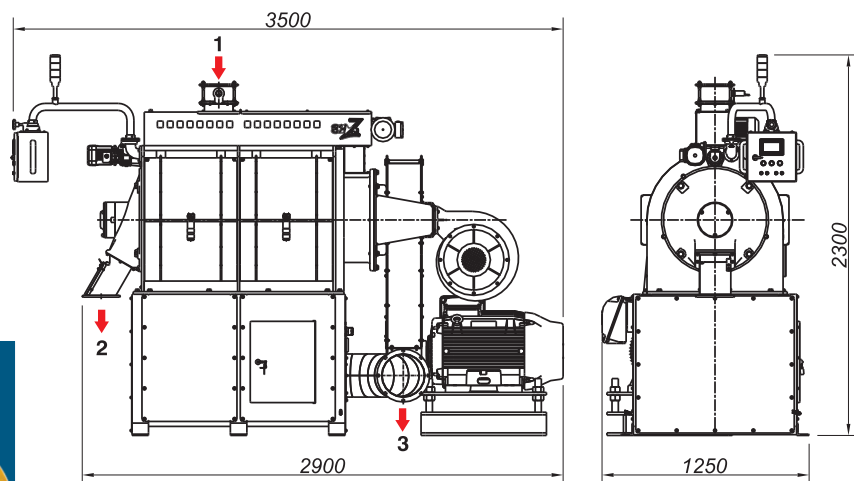
7

Approx. Shipping weight without motor (kg):

2000

CHARACTERISTICS

- Unmatched in its category, fully automatic process that gets the biggest production capacity based in previously determined parameters
- It has an easy removable cover that keeps its interior cleaned with no bran accumulation
- Matchless turning panel system, that allows the customer finds the best position as in the operation as handling as maintaining without taking a lot of space
- High production capacity with low broken grains level
- Whitening system homogeneous with high germ removal levels and low levels of irregular grains
- Easy operation, maintenance and adjustments
- Higher production ratio by consumed kW/hp



- 1- Rice Inlet
- 2- Rice Outlet
- 3- Bran Outlet

Size in mm



OUR EXPERIENCE MAKES THE DIFFERENCE

INDÚSTRIAS MACHINA ZACCARIA S/A

Rua Laranjal, 180
CEP: 13484-016 - Limeira - SP - Brasil
Phone: (55.19) 3404-5725
Fax: (55.19) 3404-5720

www.zaccaria.com.br
comex@zaccaria.com.br



Note: Production in kg/h based in tests with Brazilian thin long rice.

- For maximum performance, paddy rice moisture content should be within 12 % and 13%.
- Originally delivered without main motor.
- Optional load hopper.

Indústrias Machina Zaccaria S/A reserves the right to change the information herein stated, including color and other details, without previous notice.