

BHZX-25



Horizontal  
Whitening  
**BHZX-25**

**ZACCARIA**

# BHZX-25

## Horizontal Whitening BHZX-25

Zaccaria has the solution of exact size for your needs. The ZX series machines were developed for the purpose of meeting the requirements of those who are in the rice business and process up to 2500 kg/h of paddy, with equipment of low power consumption and excellent yields, providing a final product of high quality.

The Horizontal Whitening, model BHZX-25, is of simple construction, has compact design and easy operation. It undertakes the characteristics and qualities of large machine, ensuring low rates of grain breakage. It removes the bran layer and germ from rice grains with extremely high efficiency in a single pass, providing an excellent surface finishing to the rice.

### Model:

**BHZX-25**

### Power / Poles:

15 kW / IV  
20 hp / IV

### Output capacity (kg/h):

750 to 900

### Approx. shipping volume (m<sup>3</sup>):

2,2

### Approx. shipping weight (kg):

405

### Dimensions (mm):

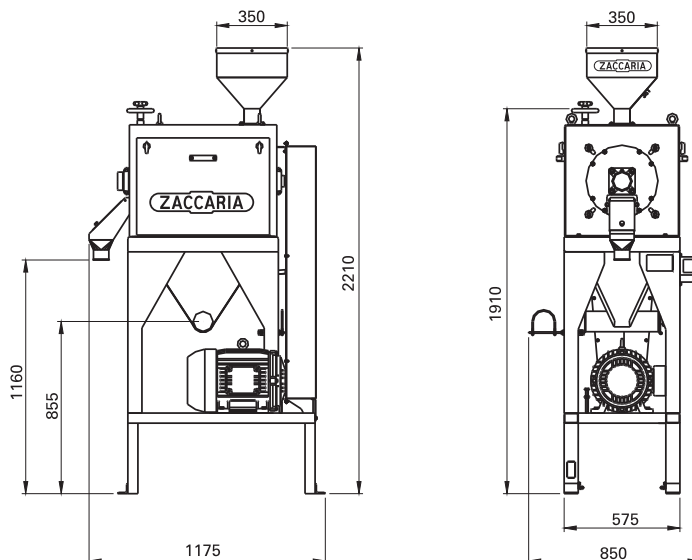
Height x Width x Length  
2210 x 850 x 1175

### MAIN FEATURES

- Four abrasive ring horizontally arranged;
- Uses four rubber resistance bars;
- Resistance bars are simultaneously adjusted by a single system;
- Bran is extracted by pneumatic conveying system;
- Easy replacement of wearing parts.

### ADVANTAGES

- Permits modular assembling;
- Permits full control of the process;
- Easy maintenance;
- Easy internal sanitation;
- Low grain breakage rate;
- Compact design;
- Low power consumption.



OUR EXPERIENCE MAKES THE DIFFERENCE

### INDÚSTRIAS MACHINA ZACCARIA S/A

Rua Laranjal, 180  
CEP: 13484-016 - Limeira - SP - Brasil  
Phone: (55.19) 3404-5725 / (55.19) 2114-5725  
Fax: (55.19) 3404-5720 / (55.19) 2114-5720

[www.zaccaria.com.br](http://www.zaccaria.com.br)  
[comex@zaccaria.com.br](mailto:comex@zaccaria.com.br)



Note: The machine is originally supplied without motor. For best performance we recommend that it be shipped with motor.

Indústrias Machina Zaccaria S/A reserves the right to change the information stated in this catalog, including the color and details of the machine, without previous notice.