



Cyclone
Separator
SCZ-2

ZACCARIA

SCZ-2

Model:

SCZ-2

Power / Poles:

Fan in according to the project

Rotary valve

0,55 kW / IV

0,75 hp / IV

Air flow (m³/min):

up to 120

***Approx. weight: packaged (kg)**

500 (without fan)

Approx. volume: packaged (m³)

7,6 (without fan)

Note: Originally provided with motors.

Indústrias Machina Zaccaria S/A reserves the right to change the information stated in this catalog, including the color and other details, without previous note.

Cyclone Separator SCZ-2

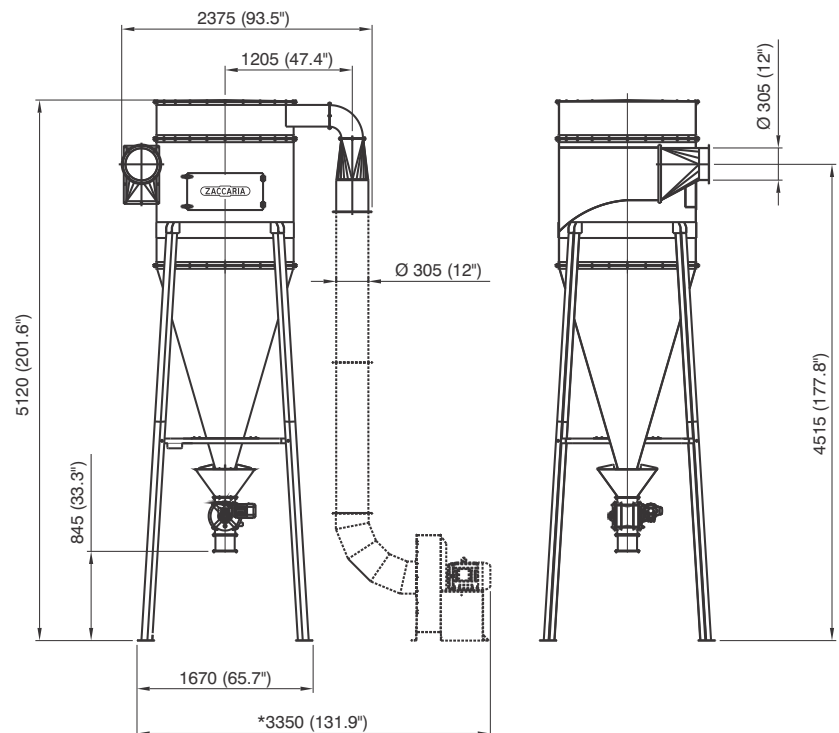
The Cyclone Separator SCZ-2 has a main purpose to separate the solid particles of the air such as: rice bran and maize germ and other materials by consult.

The equipment is similar a cyclone, has a simple construction, does not have movable parts, it is considered a low cost machine to have in the company and also it is easy to operate and make the maintenance.

Its efficiency to remove the particles depends on the size and the weight of them which makes the equipment suitable for the particles bigger than 40 μm. It is a very affordable and functional solution for a processing company which has a specific size of particles.

TECHNICAL FEATURES

- Cyclone with surrounding inlet
- Robust construction in calendered sheet metal
- Structure built in steel that offers greater stability
- Expansión cone, providing greater efficiency of set
- Rotary valve at the outlet, with sealing rubbers
- Radial centrifugal fan with closed rotor (this fan dimensioned according to the need of the project)



* MEASURES OF THE FAN ARE IN ACCORDING TO THE PROJECT

ZACCARIA

EXPERIENCE THAT MAKES THE DIFFERENCE

INDÚSTRIAS MACHINA ZACCARIA S/A

Rua Laranjal, 180

CEP: 13484-016 - Limeira - SP - Brasil

Phone: +55.19 3404 5745

www.zaccaria.com.br

comex@zaccaria.com.br