

SCZ-1/FM



Cyclone
Separator
SCZ-1/FM

ZACCARIA

SCZ-1/FM

Cyclone Separator SCZ-1/FM

The Cyclone Separator SCZ-1/FM with sleeve filtering, has a main purpose to separate the solid particles of the air such as: dust, rice bran and maize germ and other materials.

Its working is based on two (2) separation principles:

- The cylindrical structure has involving inlet which ensures a good first separation using the cyclone and also removing the different sizes of the particles bigger than $40\mu\text{m}$

- The sleeve filtering system has a pulse air jet that removes the particles bigger than $10\mu\text{m}$ it ensures a better and clean air return to the environment.

Therefore, it's a solution very useful to achieve a better quality of the environment on the grains milling location.



Sleeve Filter

Model:

SCZ-1/FM

Power / Poles:

Fan in according to the project

Rotary valve

0,55 kW / IV

0,75 hp / IV

Air flow (m³/min):

up to 60

Compressure air pressure (bar):

8

Compressure air consumption (NI/h):

12000

***Approx. weight: packaged (kg)**

700 (without fan)

Approx. volume: packaged (m³):

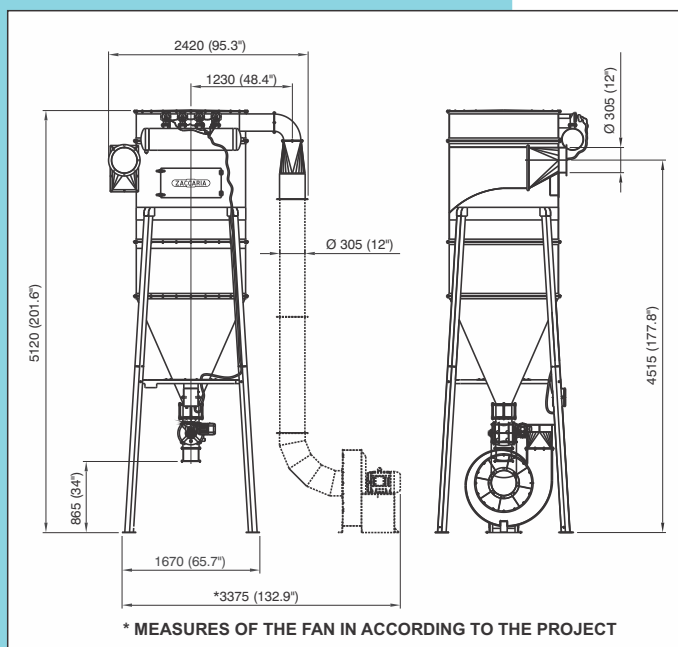
9,5 (without fan)



Control Panel

TECHNICAL FEATURES

- Cyclone with involving inlet
- Sturdy construction in calendered plate
- Parts connected by screws and angle rings
- Steel structure offering better stability
- Expansion cone, providing a better efficiency of the set
- Rotary valve at the outlet with rubber sealing
- Radial centrifugal fan with closed rotor (dimensions according to the project)
- 20 filtering sleeves corresponding to a 20m² total filtering area
- Two filtering stages: the cyclone separates the heavy fraction and the light fraction by the sleeve filters.
- Cages of sustentation use the principle of venture pipe
- Material of filtering elements in accordance the application
- Automatic cleaning sleeve use pulsed air jet by 4 solenoid valves controlled by electronic panel programmer



Note: Originally provided with motors.

Indústrias Machina Zaccaria S/A reserves the right to change the information stated in this catalog, including the color and other details, without previous note.



EXPERIENCE THAT MAKES THE DIFFERENCE

INDÚSTRIAS MACHINA ZACCARIA S/A

Rua Laranjal, 180

CEP: 13484-016 - Limeira - SP - Brasil

Phone: +55.19 3404 5745

www.zaccaria.com.br

comex@zaccaria.com.br