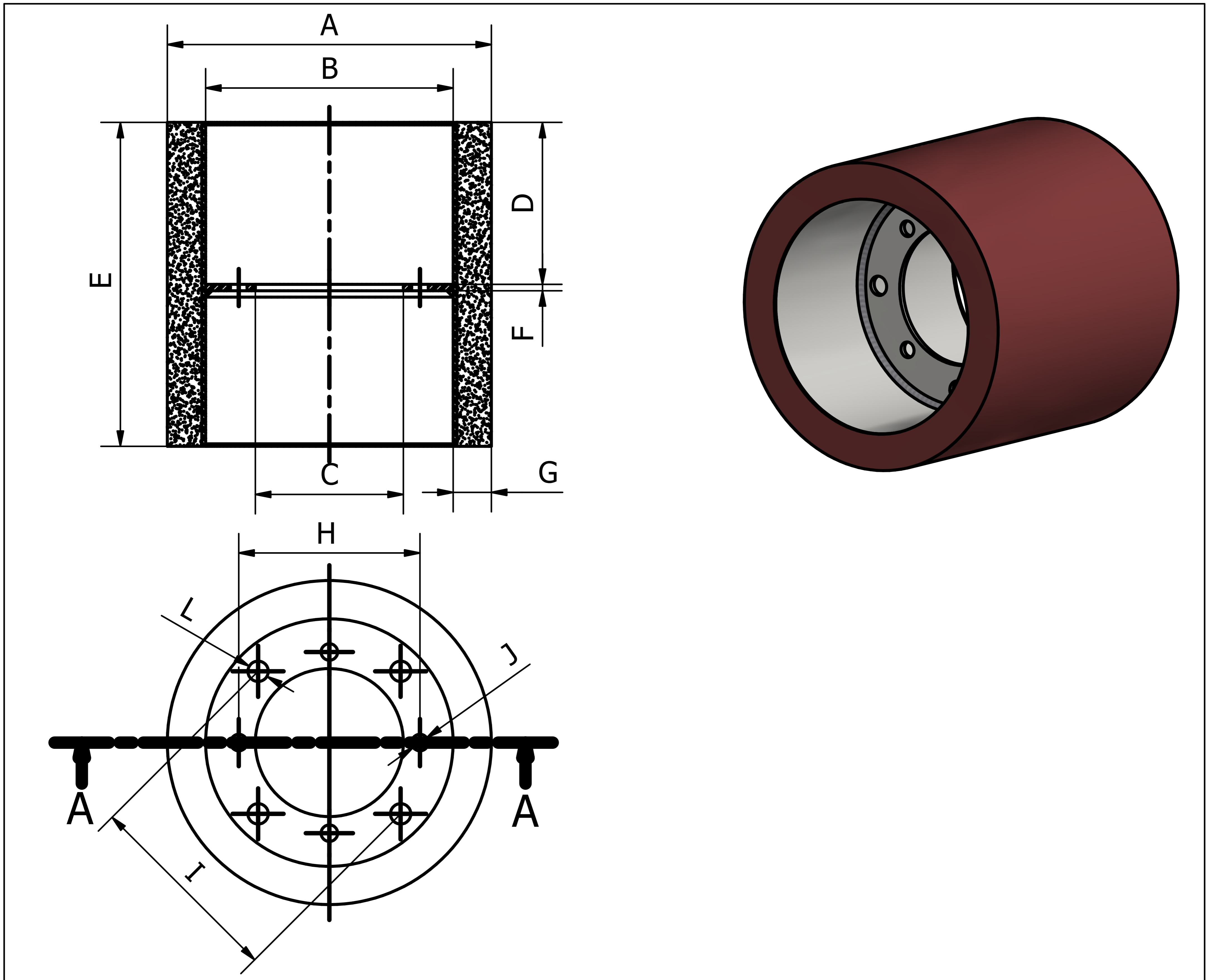


ESPECIFICAÇÃO TÉCNICA

Roletes	Dimensões (mm)										
	A	B	C	D	E	F	G	H	I	J	L
Nº05 FLANGE EQUILIBRIUM CONSISTENCY	270 ± 1,0	203	122 ^{+0,15} / _{+0,05}	150	300 ± 1,0	4 ^{+0,30} / _{-0,00}	33,5 ± 1,0	150 ± 1,0	156 ± 1,0	4 x 15	4 x 18
Nº05 FLANGE PERFORMANCE EXTREME	270 ± 1,0	195,70	122 ^{+0,15} / _{+0,05}	150	300 ± 1,0	6 ^{+0,30} / _{+0,00}	37,15 ± 1,0	150 ± 1,0	156 ± 1,0	4 x 15	4 x 18
10"x10"	254 ± 1,0	197,20	116 ^{+0,15} / _{+0,05}	127	254 ± 1,0	4 ^{+0,30} / _{+0,00}	28,40 ± 1,0	142 ± 1,0		4 x 13,7	
6"x8.3/4"	222 ± 1,0	175	114 ^{+0,15} / _{+0,05}	76	152,4 ± 1,0	4 ^{+0,30} / _{+0,00}	23,5 ± 1,0	139 ± 1,0		3 x 12	



DUREZA

- 46 a 50 Shore D - Equilibrium
- 46 a 50 Shore D - Consistency
- 48 a 52 Shore D - Performance
- 48 a 52 Shore D - Extreme

NÚCLEO

- Núcleo de Aço

EMBALAGEM

- Plástico Termo Encolhimento Branco