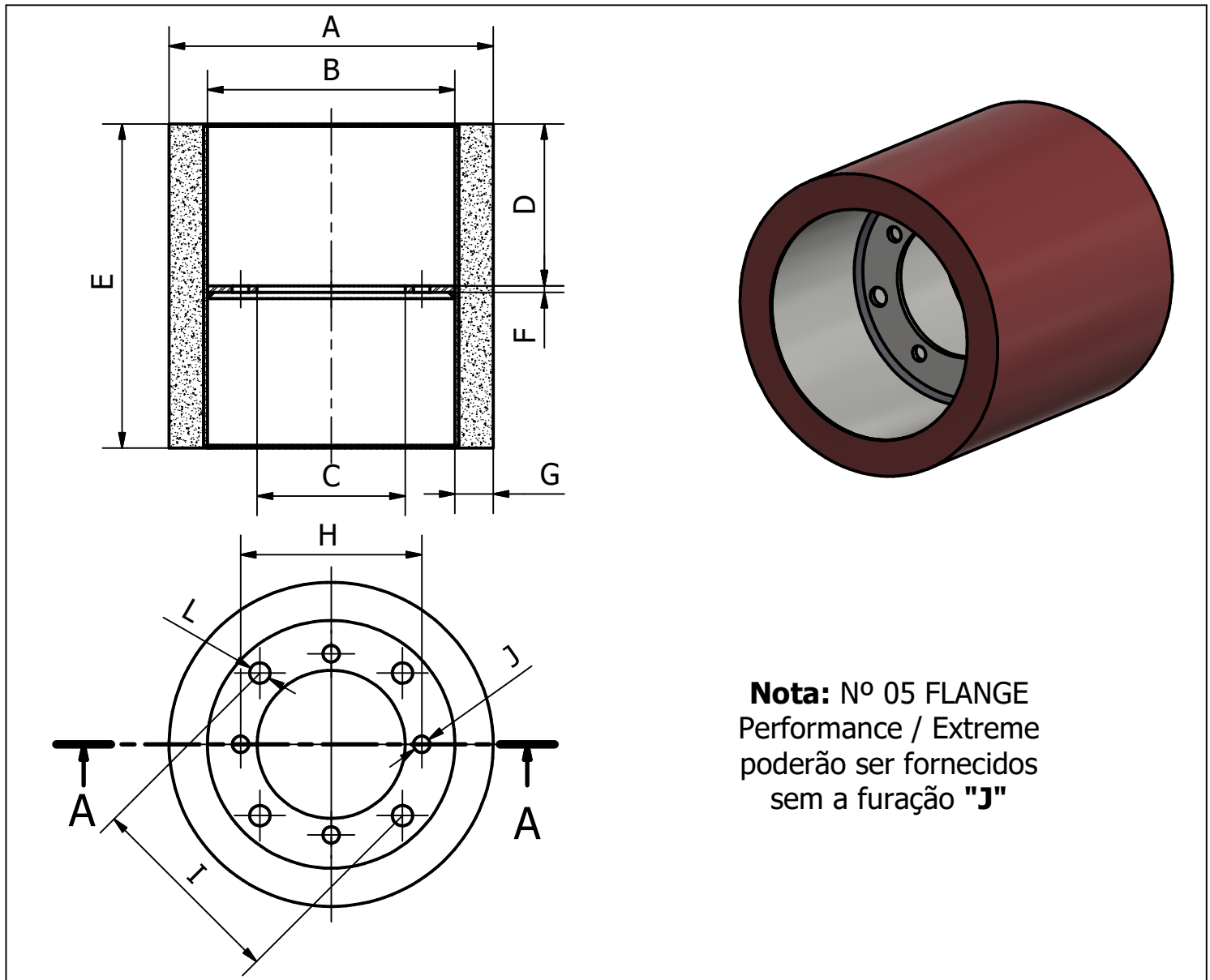


## ESPECIFICAÇÃO TÉCNICA

| Roletes                             | Dimensões (mm) |        |                                       |     |             |                                     |             |           |           |          |        |
|-------------------------------------|----------------|--------|---------------------------------------|-----|-------------|-------------------------------------|-------------|-----------|-----------|----------|--------|
|                                     | A              | B      | C                                     | D   | E           | F                                   | G           | H         | I         | J        | L      |
| Nº05 FLANGE EQUILIBRIUM CONSISTENCY | 270 ± 1,0      | 203    | 122 <sup>+0,15</sup> <sub>+0,05</sub> | 150 | 300 ± 1,0   | 4 <sup>+0,30</sup> <sub>-0,00</sub> | 33,5 ± 1,0  | 150 ± 1,0 | 156 ± 1,0 | 4 x 15   | 4 x 18 |
| Nº05 FLANGE PERFORMANCE EXTREME     | 270 ± 1,0      | 195,70 | 122 <sup>+0,15</sup> <sub>+0,05</sub> | 150 | 300 ± 1,0   | 6 <sup>+0,30</sup> <sub>+0,00</sub> | 37,15 ± 1,0 | 150 ± 1,0 | 156 ± 1,0 | 4 x 15   | 4 x 18 |
| 10"x10"                             | 254 ± 1,0      | 197,20 | 116 <sup>+0,15</sup> <sub>+0,05</sub> | 127 | 254 ± 1,0   | 4 <sup>+0,30</sup> <sub>+0,00</sub> | 28,40 ± 1,0 | 142 ± 1,0 |           | 4 x 13,7 |        |
| 6"x8.3/4"                           | 222 ± 1,0      | 175    | 114 <sup>+0,15</sup> <sub>+0,05</sub> | 76  | 152,4 ± 1,0 | 4 <sup>+0,30</sup> <sub>+0,00</sub> | 23,5 ± 1,0  | 139 ± 1,0 |           | 3 x 12   |        |



**Nota:** Nº 05 FLANGE Performance / Extreme poderão ser fornecidos sem a furação "J"

### DUREZA

- 46 a 50 Shore D - Equilibrium
- 46 a 50 Shore D - Consistency
- 48 a 52 Shore D - Performance
- 48 a 52 Shore D - Extreme

### NÚCLEO

- Núcleo de Aço

### EMBALAGEM

- Plástico Termo Encolhimento Branco