

EHSZ-30



Horizontal
Seeds Scarifier
EHSZ-30

ZACCARIA

EHSZ-30

Model:

EHSZ-30

Power / Poles:

According to each project

Production Capacity: Under request

Required Negative Pressure (mmH₂O):

100 to 150

-Air Flow (m³/min):

20

Approx. Shipped Volume (m³):

3

Approx. Shipped Weight (kg):

450

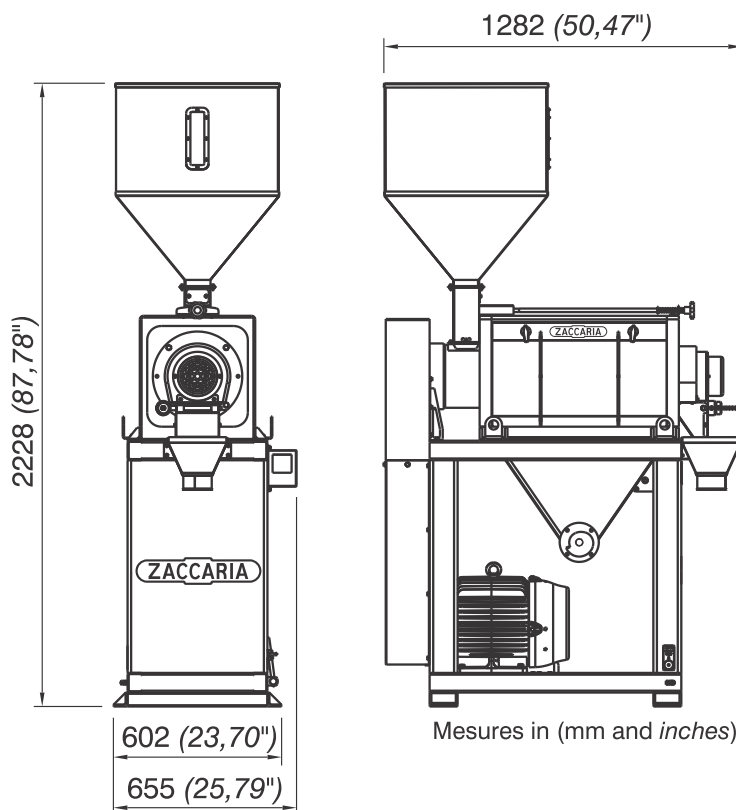
Horizontal Seeds Scarifier EHSZ-30

The Horizontal Seeds Scarifier, model EHSZ- 30 is a solution for companies that look for mechanical scarification for forage seeds effectively.

The constructive develop is composed by a suitable geometrical kernel to promote enough pressure among the seeds, it ensures the best results, low index of broken seeds and consistent scarification for a good germination.

CHARACTERISTICS

- Whole structure in steel
- Stainless steel hopper to extract the seeds cover
- Control panel to monitor the motor amperage
- Steel screen fixing structure
- Cover and parts designed to ensure the machine internal self-cleaning, it avoids the impurities accumulation
- Several screen options that adapt in any forage seed



EXPERIENCE THAT MAKES THE DIFERENCE

INDÚSTRIAS MACHINA ZACCARIA S/A
Rua Laranjal, 180
CEP.: 13484-016 - Limeira - SP - Brasil
Phone: +55 19 3404 5745

www.zaccaria.com.br
comex@zaccaria.com.br

Note: *EHSZ-30 is supplied orinally without motor.

Indústrias Machina Zaccaria S/A reserves the right to change the specifications including the color of the machine and other details without previous notice.